

TIMKEN

TIMKEN® SNT PLUMMER BLOCKS

Iron-clad protection for enhanced reliability

Timken® SNT metric plummer blocks deliver engineering expertise and Timken quality every step of the way.

CAST-IRON HOUSINGS: Durable design protects the bearing while resisting the harshest environments.

TIMKEN® SPHERICAL ROLLER BEARINGS: Premium performance with lower operating temperatures and increased load-carrying capacity provide longer bearing life.

SEAL OPTIONS: Four types of seals are available to meet your application needs. Choose from double-lip, labyrinth, V-ring or taconite designs.

GLOBAL AVAILABILITY: Our global distribution network makes it easy to get Timken product anywhere in the world fast.



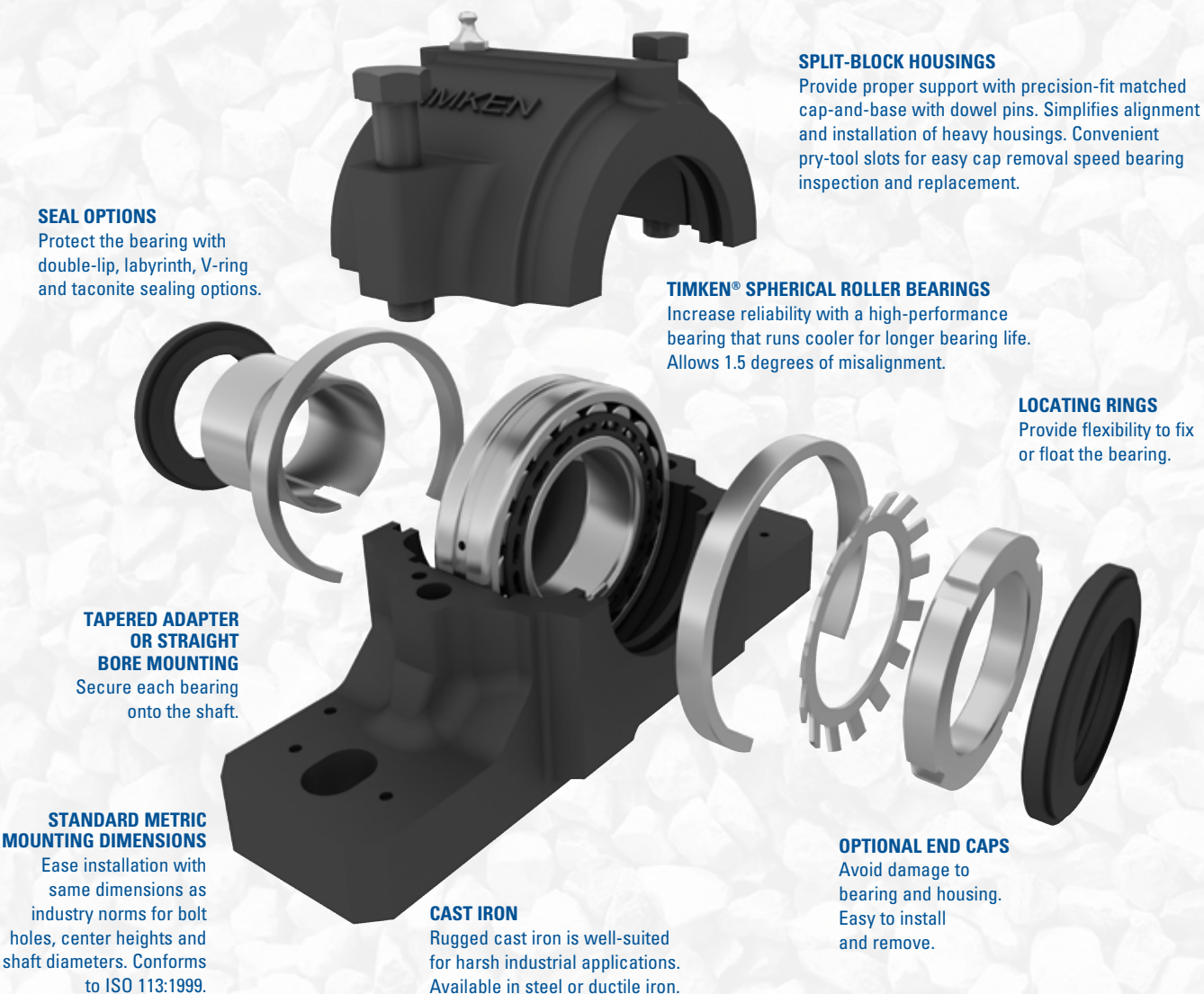
IT'S A TOUGH WORLD OUT THERE. PROTECT YOUR BEARINGS.

Timken® high-performance spherical roller bearings run cooler and last longer, providing longer bearing life thanks to enhanced geometries and innovative design features. Now you can get more from your bearings by protecting them with Timken® SNT plummer blocks and seals.

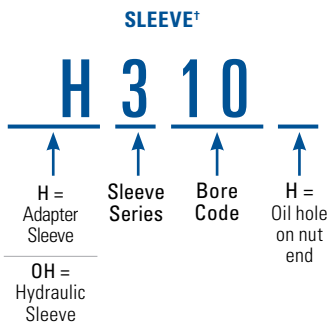
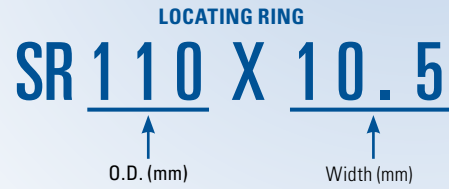
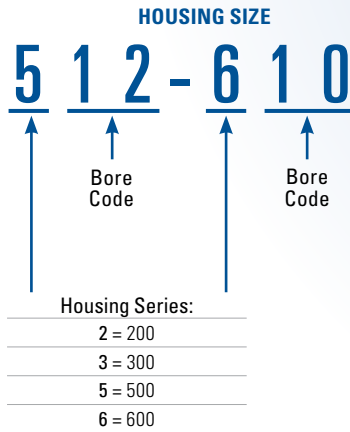
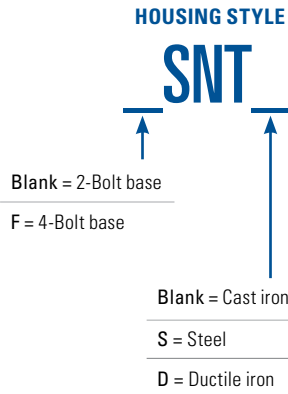
Uptime is your key to success even as you push equipment harder than ever before. Help improve efficiency and increase your return on investment with tough Timken housings and durable sealing options designed to keep contamination out and lubrication in.

MORE OPTIONS AND MORE PERFORMANCE FROM TIMKEN SNT BLOCKS

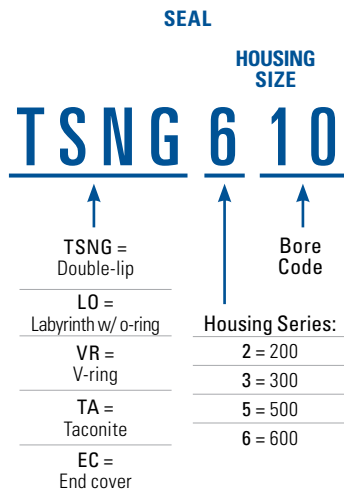
Timken provides the technical expertise and broad range of product options to help engineers, contractors, maintenance professionals and others choose the optimal assemblies and components for each task. We stand ready to help you enhance your organization's productivity and safety.



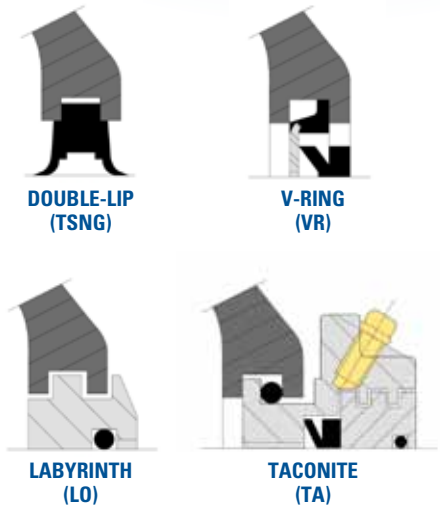
SNT NOMENCLATURE



*Assembly contains adapter sleeve, locknut and lockwasher



SEAL OPTIONS



FLEXIBLE CONFIGURATIONS

Timken SNT plummer blocks provide options to meet all of your needs. Depending on the accessories you choose, a single housing can be used with multiple bearings, in fixed or float positions, and open or closed end caps.

TAPERED BORE BEARING EXAMPLE



BEARING: 21310K
LOCATING RINGS: SR110X10.5
SLEEVE: H310

SEAL OPTIONS
DOUBLE-LIP: TSNG610
LOR: LO610
V-RING: VR610
TACONITE: TA610
END COVER: EC512-610

BEARING: 22310K
LOCATING RINGS: SR110X4
SLEEVE: H2310

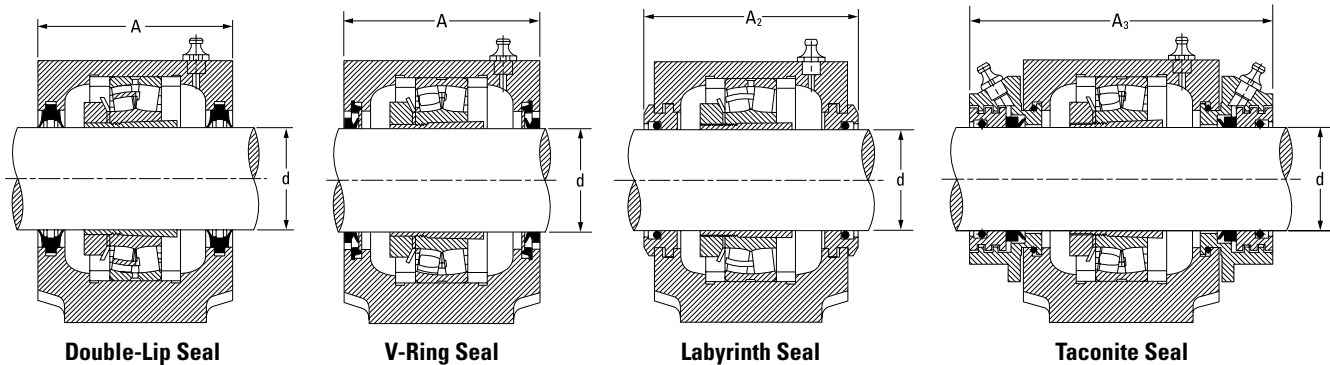
SEAL OPTIONS
DOUBLE-LIP: TSNG610
LOR: LO610
V-RING: VR610
TACONITE: TA610
END COVER: EC512-610

BEARING: 22212K
LOCATING RINGS: SR110X10
SLEEVE: H312

SEAL OPTIONS
DOUBLE-LIP: TSNG512
LOR: LO512
V-RING: VR512
TACONITE: TA512
END COVER: EC512-610

TWO-BOLT SNT HOUSINGS FOR TAPERED BORE BEARINGS

- The basic numbers for ordering plummer block housings and components are listed in the table below.
- Each housing includes the housing cap, base and cap bolts.
- Housings shown are furnished in cast iron. If cast steel is desired, add the letter S to the alpha prefix (e.g., SNTS 518). If ductile iron is desired, add the letter D to the alpha prefix (e.g., SNTD 505).



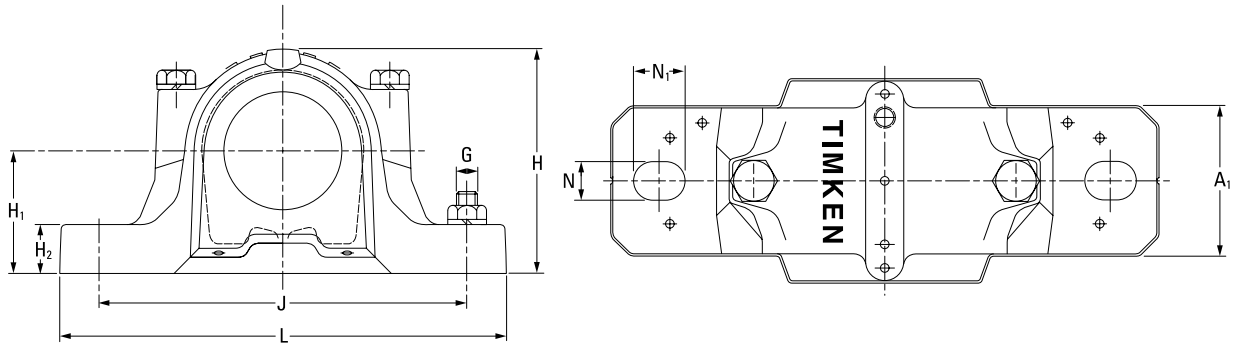
| Shaft Dia. | Housing | Bearing | Locating Rings ⁽¹⁾ | Adapter Sleeve ⁽²⁾ | Locknut ⁽³⁾ | Lockwasher ⁽³⁾ | Double-Lip Seal ⁽⁴⁾ | V-Ring Seal ⁽⁴⁾ | Labyrinth Seal ⁽³⁾ | Taconite Seal ⁽³⁾ | End Cover ⁽³⁾ |
|------------|-------------|---------|-------------------------------|-------------------------------|------------------------|---------------------------|--------------------------------|----------------------------|-------------------------------|------------------------------|--------------------------|
| d | | | O.D. x Width | | | | | | | | |
| mm | | | | | | | | | | | |
| 20 | SNT 505 | 22205K | SR52X3.5 | H305 | KM5 | MB5 | – | VR505 | LO505 | TA505 | EC505 |
| | SNT 506-605 | 21305K | SR62X7.5 | H305 | KM5 | MB5 | TSNG605 | VR605 | LO605 | TA605 | EC506-605 |
| 25 | SNT 506-605 | 22206K | SR62X6 | H306 | KM6 | MB6 | – | VR506 | LO506 | TA506 | EC506-605 |
| | SNT 507-606 | 21306K | SR72X7.5 | H306 | KM6 | MB6 | TSNG606 | VR606 | LO606 | TA606 | EC507-606 |
| 30 | SNT 507-606 | 22207K | SR72X5.5 | H307 | KM7 | MB7 | TSNG507 | VR507 | LO507 | TA507 | EC507-606 |
| | SNT 508-607 | 21307K | SR80X9 | H307 | KM7 | MB7 | TSNG607 | VR607 | LO607 | TA607 | EC508-607 |
| 35 | SNT 508-607 | 22208K | SR80X8 | H308 | KM8 | MB8 | TSNG508 | VR508 | LO508 | TA508 | EC508-607 |
| | SNT 510-608 | 21308K | SR90X9 | H308 | KM8 | MB8 | TSNG608 | VR608 | LO608 | TA608 | EC510-608 |
| | SNT 510-608 | 22308K | SR90X4 | H2308 | KM8 | MB8 | TSNG608 | VR608 | LO608 | TA608 | EC510-608 |
| 40 | SNT 509 | 22209K | SR85X3.5 | H309 | KM9 | MB9 | TSNG509 | VR509 | LO509 | TA509 | EC509 |
| | SNT 511-609 | 21309K | SR100X9.5 | H309 | KM9 | MB9 | TSNG609 | VR609 | LO609 | TA609 | EC511-609 |
| | SNT 511-609 | 22309K | SR100X4 | H2309 | KM9 | MB9 | TSNG609 | VR609 | LO609 | TA609 | EC511-609 |
| 45 | SNT 510-608 | 22210K | SR90X9 | H310 | KM10 | MB10 | TSNG510 | VR510 | LO510 | TA510 | EC510-608 |
| | SNT 512-610 | 21310K | SR110X10.5 | H310 | KM10 | MB10 | TSNG610 | VR610 | LO610 | TA610 | EC512-610 |
| | SNT 512-610 | 22310K | SR110X4 | H2310 | KM10 | MB10 | TSNG610 | VR610 | LO610 | TA610 | EC512-610 |
| 50 | SNT 511-609 | 22211K | SR100X9.5 | H311 | KM11 | MB11 | TSNG511 | VR511 | LO511 | TA511 | EC511-609 |
| | SNT 513-611 | 21311K | SR120X11 | H311 | KM11 | MB11 | TSNG611 | VR611 | LO611 | TA611 | EC513-611 |
| | SNT 513-611 | 22311K | SR120X4 | H2311 | KM11 | MB11 | TSNG611 | VR611 | LO611 | TA611 | EC513-611 |
| 55 | SNT 512-610 | 22212K | SR110X10 | H312 | KM12 | MB12 | TSNG512 | VR512 | LO512 | TA512 | EC512-610 |
| | SNT 515-612 | 21312K | SR130X12.5 | H312 | KM12 | MB12 | TSNG612 | VR612 | LO612 | TA612 | EC515-612 |
| | SNT 515-612 | 22312K | SR130X5 | H2312 | KM12 | MB12 | TSNG612 | VR612 | LO612 | TA612 | EC515-612 |
| 60 | SNT 513-611 | 22213K | SR120X10 | H313 | KM13 | MB13 | TSNG513 | VR513 | LO513 | TA513 | EC513-611 |
| | SNT 516-613 | 21313K | SR140X12.5 | H313 | KM13 | MB13 | TSNG613 | VR613 | LO613 | TA613 | EC516-613 |
| | SNT 516-613 | 22313K | SR140X5 | H2313 | KM13 | MB13 | TSNG613 | VR613 | LO613 | TA613 | EC516-613 |

⁽¹⁾Locating rings = minimum two required for fixed position, sold one piece per box.

⁽²⁾Adapter sleeve assembly includes one sleeve, one locknut and one lockwasher.

⁽³⁾Labyrinth, taconite seal, end cover, locknut, lockwasher, sold one piece per box.

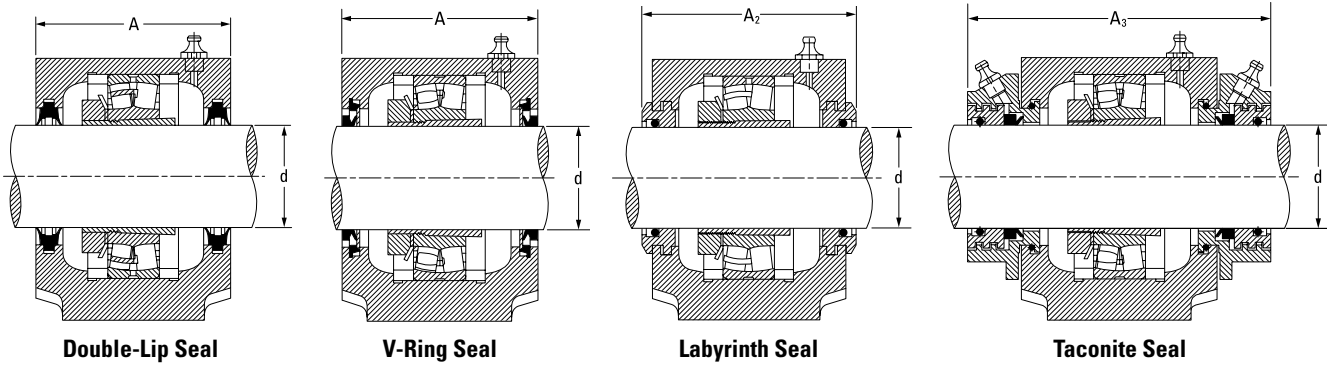
⁽⁴⁾Double-lip and V-ring seals sold two pieces per box.



| Housing Dimensions | | | | | | | | | | | | | 2 Bolts Req'd | Housing Mass |
|--------------------|----------------|----------------|----------------|-----|----------------|----------------|-------|-----|-------|-----|----|----------------|---------------|--------------|
| A | A ₁ | A ₂ | A ₃ | H | H ₁ | H ₂ | J min | J | J max | L | N | N ₁ | G | kg |
| 67 | 46 | 80 | 130 | 74 | 40 | 19 | 123 | 130 | 137 | 165 | 15 | 20 | 12 | 1.5 |
| 77 | 52 | 89 | 135 | 89 | 50 | 22 | 143 | 150 | 157 | 185 | 15 | 20 | 12 | 2.0 |
| 77 | 52 | 89 | 135 | 89 | 50 | 22 | 143 | 150 | 157 | 185 | 15 | 20 | 12 | 2.0 |
| 82 | 52 | 94 | 140 | 93 | 50 | 22 | 143 | 150 | 157 | 185 | 15 | 20 | 12 | 2.2 |
| 82 | 52 | 94 | 140 | 93 | 50 | 22 | 143 | 150 | 157 | 185 | 15 | 20 | 12 | 2.2 |
| 85 | 60 | 97 | 145 | 108 | 60 | 25 | 165 | 170 | 175 | 205 | 15 | 20 | 12 | 2.9 |
| 85 | 60 | 97 | 145 | 108 | 60 | 25 | 165 | 170 | 175 | 205 | 15 | 20 | 12 | 2.9 |
| 90 | 60 | 102 | 150 | 113 | 60 | 25 | 165 | 170 | 175 | 205 | 15 | 20 | 12 | 3.2 |
| 90 | 60 | 102 | 150 | 113 | 60 | 25 | 165 | 170 | 175 | 205 | 15 | 20 | 12 | 3.2 |
| 85 | 60 | 97 | 150 | 109 | 60 | 25 | 165 | 170 | 175 | 205 | 15 | 20 | 12 | 2.9 |
| 95 | 70 | 107 | 155 | 128 | 70 | 28 | 205 | 210 | 215 | 255 | 18 | 24 | 16 | 4.5 |
| 95 | 70 | 107 | 155 | 128 | 70 | 28 | 205 | 210 | 215 | 255 | 18 | 24 | 16 | 4.5 |
| 90 | 60 | 102 | 150 | 113 | 60 | 25 | 165 | 170 | 175 | 205 | 15 | 20 | 12 | 3.2 |
| 105 | 70 | 117 | 165 | 134 | 70 | 30 | 205 | 210 | 215 | 255 | 18 | 24 | 16 | 5.3 |
| 105 | 70 | 117 | 165 | 134 | 70 | 30 | 205 | 210 | 215 | 255 | 18 | 24 | 16 | 5.3 |
| 95 | 70 | 107 | 155 | 128 | 70 | 28 | 205 | 210 | 215 | 255 | 18 | 24 | 16 | 4.5 |
| 110 | 80 | 122 | 170 | 150 | 80 | 30 | 224 | 230 | 236 | 275 | 18 | 24 | 16 | 6.6 |
| 110 | 80 | 122 | 170 | 150 | 80 | 30 | 224 | 230 | 236 | 275 | 18 | 24 | 16 | 6.6 |
| 105 | 70 | 117 | 165 | 134 | 70 | 30 | 205 | 210 | 215 | 255 | 18 | 24 | 16 | 5.3 |
| 115 | 80 | 127 | 175 | 156 | 80 | 30 | 222 | 230 | 238 | 280 | 18 | 24 | 16 | 6.9 |
| 115 | 80 | 127 | 175 | 156 | 80 | 30 | 222 | 230 | 238 | 280 | 18 | 24 | 16 | 6.9 |
| 110 | 80 | 122 | 170 | 150 | 80 | 30 | 224 | 230 | 236 | 275 | 18 | 24 | 16 | 6.6 |
| 120 | 90 | 138 | 180 | 177 | 95 | 32 | 252 | 260 | 268 | 315 | 22 | 28 | 20 | 9.7 |
| 120 | 90 | 138 | 180 | 177 | 95 | 32 | 252 | 260 | 268 | 315 | 22 | 28 | 20 | 9.7 |

Continued on next page.

TWO-BOLT SNT HOUSINGS FOR TAPERED BORE BEARINGS (CONTINUED)



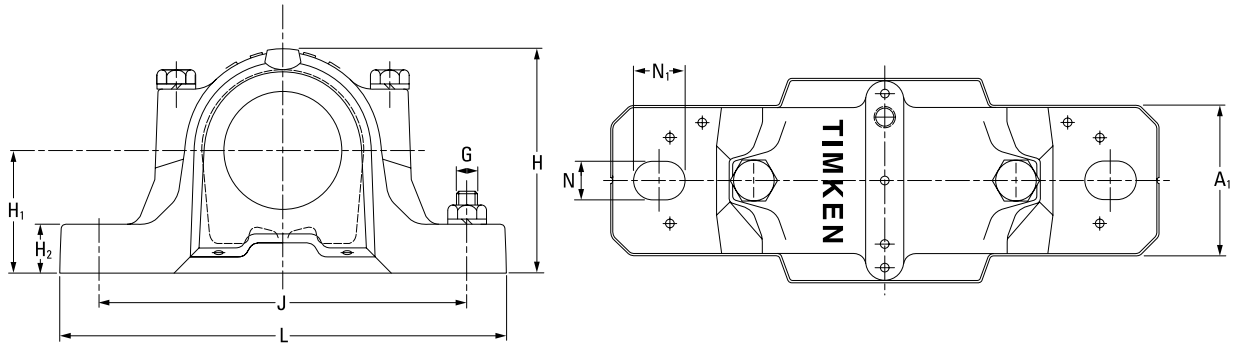
| Shaft Dia. | Housing | Bearing | Locating Rings ⁽¹⁾ | Adapter Sleeve ⁽²⁾ | Locknut ⁽³⁾ | Lockwasher ⁽³⁾ | Double-Lip Seal ⁽⁴⁾ | V-Ring Seal ⁽⁴⁾ | Labyrinth Seal ⁽³⁾ | Taconite Seal ⁽³⁾ | End Cover ⁽³⁾ |
|------------|-------------|---------|-------------------------------|-------------------------------|------------------------|---------------------------|--------------------------------|----------------------------|-------------------------------|------------------------------|--------------------------|
| d | | | O.D. x Width | | | | | | | | |
| mm | | | | | | | | | | | |
| 65 | SNT 515-612 | 22215K | SR130X12.5 | H315 | KM15 | MB15 | TSNG515 | VR515 | L0515 | TA515 | EC515-612 |
| | SNT 518-615 | 21315K | SR160X14 | H315 | KM15 | MB15 | TSNG615 | VR615 | L0615 | TA615 | EC518-615 |
| | SNT 518-615 | 22315K | SR160X5 | H2315 | KM15 | MB15 | TSNG615 | VR615 | L0615 | TA615 | EC518-615 |
| 70 | SNT 516-613 | 22216K | SR140X12.5 | H316 | KM16 | MB16 | TSNG516 | VR516 | L0516 | TA516 | EC516-613 |
| | SNT 519-616 | 21316K | SR170X14.5 | H316 | KM16 | MB16 | TSNG616 | VR616 | L0616 | TA616 | EC519-616 |
| | SNT 519-616 | 22316K | SR170X5 | H2316 | KM16 | MB16 | TSNG616 | VR616 | L0616 | TA616 | EC519-616 |
| 75 | SNT 517 | 22217K | SR150X12.5 | H317 | KM17 | MB17 | TSNG517 | VR517 | L0517 | TA517 | EC517 |
| | SNT 520-617 | 21317K | SR180X14.5 | H317 | KM17 | MB17 | TSNG617 | VR617 | L0617 | TA617 | EC520-617 |
| | SNT 520-617 | 22317K | SR180X5 | H2317 | KM17 | MB17 | TSNG617 | VR617 | L0617 | TA617 | EC520-617 |
| 80 | SNT 518-615 | 22218K | SR160X12.5 | H318 | KM18 | MB18 | TSNG518 | VR518 | L0518 | TA518 | EC518-615 |
| | SNT 518-615 | 23218K | SR160X6.25 | H2318 | KM18 | MB18 | TSNG518 | VR518 | L0518 | TA518 | EC518-615 |
| 85 | SNT 519-616 | 22219K | SR170X12.5 | H319 | KM19 | MB19 | TSNG519 | VR519 | L0519 | TA519 | EC519-616 |
| | SNT 522-619 | 21319K | SR200X17.5 | H319 | KM19 | MB19 | TSNG619 | VR619 | L0619 | TA619 | EC522-619 |
| | SNT 522-619 | 22319K | SR200X6.5 | H2319 | KM19 | MB19 | TSNG619 | VR619 | L0619 | TA619 | EC522-619 |
| 90 | SNT 520-617 | 22220K | SR180X12 | H320 | KM20 | MB20 | TSNG520 | VR520 | L0520 | TA520 | EC520-617 |
| | SNT 520-617 | 23220K | SR180X4.85 | H2320 | KM20 | MB20 | TSNG520 | VR520 | L0520 | TA520 | EC520-617 |
| | SNT 524-620 | 21320K | SR215X19.5 | H2320 | KM20 | MB20 | TSNG620 | VR620 | L0620 | TA620 | EC524-620 |
| | SNT 524-620 | 22320K | SR215X6.5 | H2320 | KM20 | MB20 | TSNG620 | VR620 | L0620 | TA620 | EC524-620 |
| 100 | SNT 522-619 | 22222K | SR200X13.5 | H322 | KM22 | MB22 | TSNG522 | VR522 | L0522 | TA522 | EC522-619 |
| | SNT 522-619 | 23222K | SR200X5.1 | H2322 | KM22 | MB22 | TSNG522 | VR522 | L0522 | TA522 | EC522-619 |
| 110 | SNT 524-620 | 22224K | SR215X14 | H3124 | KM24 | MB24 | TSNG524 | VR524 | L0524 | TA524 | EC524-620 |
| | SNT 524-620 | 23224K | SR215X5 | H2324 | KM24 | MB24 | TSNG524 | VR524 | L0524 | TA524 | EC524-620 |
| 115 | SNT 526 | 22226K | SR230X13 | H3126 | KM26 | MB26 | TSNG526 | VR526 | L0526 | TA526 | EC526 |
| | SNT 526 | 23226K | SR230X5 | H2326 | KM26 | MB26 | TSNG526 | VR526 | L0526 | TA526 | EC526 |
| 125 | SNT 528 | 22228K | SR250X15 | H3128 | KM28 | MB28 | TSNG528 | VR528 | L0528 | TA528 | EC528 |
| | SNT 528 | 23228K | SR250X5 | H2328 | KM28 | MB28 | TSNG528 | VR528 | L0528 | TA528 | EC528 |
| 135 | SNT 530 | 22230K | SR270X16.5 | H3130 | KM30 | MB30 | TSNG530 | VR530 | L0530 | TA530 | EC530 |
| | SNT 530 | 23230K | SR270X5 | H2330 | KM30 | MB30 | TSNG530 | VR530 | L0530 | TA530 | EC530 |
| 140 | SNT 532 | 22232K | SR290X17 | H3132 | KM32 | MB32 | TSNG532 | VR532 | L0532 | TA532 | EC532 |
| | SNT 532 | 23232K | SR290X5 | H2332 | KM32 | MB32 | TSNG532 | VR532 | L0532 | TA532 | EC532 |

⁽¹⁾Locating rings = minimum two required for fixed position, sold one piece per box.

⁽²⁾Adapter sleeve assembly includes one sleeve, one locknut and one lockwasher.

⁽³⁾Labyrinth, taconite seal, end cover, locknut, lockwasher, sold one piece per box.

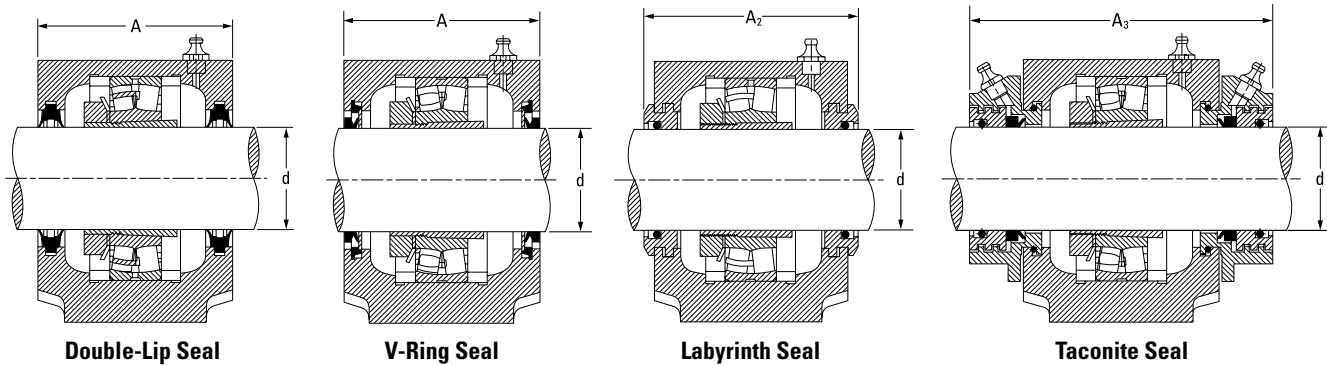
⁽⁴⁾Double-lip and V-ring seals sold two pieces per box.



| Housing Dimensions | | | | | | | | | | | | | 2 Bolts Req'd | Housing Mass kg |
|--------------------|----------------|----------------|----------------|-----|----------------|----------------|-------|-----|-------|-----|----|----------------|------------------|---------------------------|
| A | A ₁ | A ₂ | A ₃ | H | H ₁ | H ₂ | J min | J | J max | L | N | N ₁ | G | |
| mm | mm | mm | mm | mm | mm | mm | mm | mm | mm | mm | mm | mm | mm | mm |
| 115 | 80 | 127 | 175 | 156 | 80 | 30 | 222 | 230 | 238 | 280 | 18 | 24 | 16 | 6.9 |
| 140 | 100 | 158 | 225 | 194 | 100 | 35 | 285 | 290 | 295 | 345 | 22 | 28 | 20 | 13.1 |
| 140 | 100 | 158 | 225 | 194 | 100 | 35 | 285 | 290 | 295 | 345 | 22 | 28 | 20 | 13.1 |
| 120 | 90 | 138 | 180 | 177 | 95 | 32 | 252 | 260 | 268 | 315 | 22 | 28 | 20 | 9.7 |
| 145 | 100 | 163 | 220 | 212 | 112 | 35 | 285 | 290 | 295 | 345 | 22 | 28 | 20 | 14.0 |
| 145 | 100 | 163 | 220 | 212 | 112 | 35 | 285 | 290 | 295 | 345 | 22 | 28 | 20 | 14.0 |
| 125 | 90 | 143 | 210 | 183 | 95 | 32 | 252 | 260 | 268 | 320 | 22 | 28 | 20 | 10.4 |
| 160 | 110 | 178 | 235 | 218 | 112 | 40 | 314 | 320 | 326 | 380 | 26 | 32 | 24 | 17.6 |
| 160 | 110 | 178 | 235 | 218 | 112 | 40 | 314 | 320 | 326 | 380 | 26 | 32 | 24 | 17.6 |
| 140 | 100 | 158 | 225 | 194 | 100 | 35 | 285 | 290 | 295 | 345 | 22 | 28 | 20 | 13.1 |
| 140 | 100 | 158 | 225 | 194 | 100 | 35 | 285 | 290 | 295 | 345 | 22 | 28 | 20 | 13.1 |
| 145 | 100 | 163 | 220 | 212 | 112 | 35 | 285 | 290 | 295 | 345 | 22 | 28 | 20 | 14.0 |
| 175 | 120 | 191 | 250 | 242 | 125 | 45 | 356 | 344 | 350 | 410 | 32 | 26 | 24 | 22.3 |
| 175 | 120 | 191 | 250 | 242 | 125 | 45 | 344 | 350 | 356 | 410 | 26 | 32 | 24 | 22.3 |
| 160 | 110 | 178 | 235 | 218 | 112 | 40 | 314 | 320 | 326 | 380 | 26 | 32 | 24 | 17.6 |
| 160 | 110 | 178 | 235 | 218 | 112 | 40 | 314 | 320 | 326 | 380 | 26 | 32 | 24 | 17.6 |
| 185 | 120 | 199 | 260 | 271 | 140 | 45 | 344 | 350 | 356 | 410 | 26 | 32 | 24 | 26.5 |
| 185 | 120 | 199 | 260 | 271 | 140 | 45 | 344 | 350 | 356 | 410 | 26 | 32 | 24 | 26.5 |
| 175 | 120 | 191 | 250 | 242 | 125 | 45 | 344 | 350 | 356 | 410 | 26 | 32 | 24 | 22.3 |
| 175 | 120 | 191 | 250 | 242 | 125 | 45 | 344 | 350 | 356 | 410 | 26 | 32 | 24 | 22.3 |
| 185 | 120 | 199 | 260 | 271 | 140 | 45 | 344 | 350 | 356 | 410 | 26 | 32 | 24 | 26.5 |
| 185 | 120 | 199 | 260 | 271 | 140 | 45 | 344 | 350 | 356 | 410 | 26 | 32 | 24 | 26.5 |
| 190 | 130 | 208 | 265 | 290 | 150 | 50 | 373 | 380 | 387 | 445 | 28 | 35 | 24 | 34.0 |
| 190 | 130 | 208 | 265 | 290 | 150 | 50 | 373 | 380 | 387 | 445 | 28 | 35 | 24 | 34.0 |
| 205 | 150 | 223 | 285 | 302 | 150 | 50 | 413 | 420 | 427 | 500 | 35 | 42 | 30 | 39.0 |
| 205 | 150 | 223 | 285 | 302 | 150 | 50 | 413 | 420 | 427 | 500 | 35 | 42 | 30 | 39.0 |
| 220 | 160 | 241 | 295 | 323 | 160 | 60 | 443 | 450 | 457 | 530 | 35 | 42 | 30 | 48.0 |
| 220 | 160 | 241 | 295 | 323 | 160 | 60 | 443 | 450 | 457 | 530 | 35 | 42 | 30 | 48.0 |
| 235 | 160 | 254 | 315 | 344 | 170 | 60 | 463 | 470 | 477 | 550 | 35 | 42 | 30 | 54.5 |
| 235 | 160 | 254 | 315 | 344 | 170 | 60 | 463 | 470 | 477 | 550 | 35 | 42 | 30 | 54.5 |

FOUR-BOLT FSNT HOUSINGS FOR TAPERED BORE BEARINGS

- The basic numbers for ordering plummer block housings and components are listed in the table below.
- Each housing includes the housing cap, base and cap bolts.
- Assemblies shown are furnished in cast iron. If cast steel is desired, add the letter S to the alpha prefix (e.g., FSNTS 518). If ductile iron is desired, add the letter D to the alpha prefix (e.g., FSNTD 505).



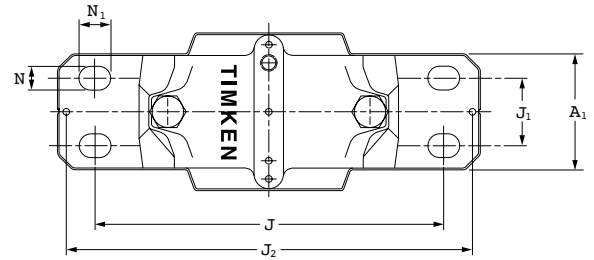
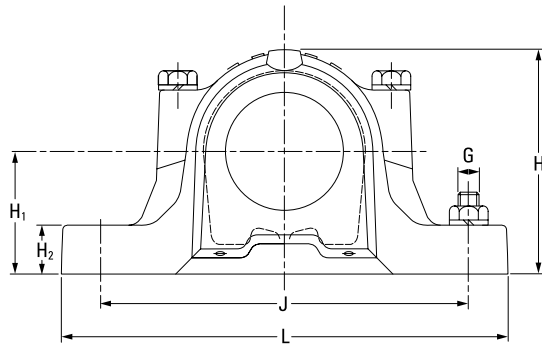
| Shaft Dia. d | Housing | Bearing | Locating Rings ⁽¹⁾ O.D. x Width | Adapter Sleeve ⁽²⁾ | Locknut ⁽³⁾ | Lockwasher ⁽³⁾ | Double-Lip Seal ⁽⁴⁾ | V-Ring Seal ⁽⁴⁾ | Labyrinth Seal ⁽³⁾ | Taconite Seal ⁽³⁾ | End Cover ⁽³⁾ |
|-----------------|--------------|---------|---|-------------------------------|------------------------|---------------------------|--------------------------------|----------------------------|-------------------------------|------------------------------|--------------------------|
| mm | | | | | | | | | | | |
| 40 | FSNT 511-609 | 21309K | SR100X9.5 | H309 | KM9 | MB9 | TSNG609 | VR609 | LO609 | TA609 | EC511-609 |
| | FSNT 511-609 | 22309K | SR100X4 | H2309 | KM9 | MB9 | TSNG609 | VR609 | LO609 | TA609 | EC511-609 |
| 45 | FSNT 512-610 | 21310K | SR110X10.5 | H310 | KM10 | MB10 | TSNG610 | VR610 | LO610 | TA610 | EC512-610 |
| | FSNT 512-610 | 22310K | SR110X4 | H2310 | KM10 | MB10 | TSNG610 | VR610 | LO610 | TA610 | EC512-610 |
| 50 | FSNT 511-609 | 22211K | SR100X9.5 | H311 | KM11 | MB11 | TSNG511 | VR511 | LO511 | TA511 | EC511-609 |
| | FSNT 513-611 | 21311K | SR120X11 | H311 | KM11 | MB11 | TSNG611 | VR611 | LO611 | TA611 | EC513-611 |
| | FSNT 513-611 | 22311K | SR120X4 | H2311 | KM11 | MB11 | TSNG611 | VR611 | LO611 | TA611 | EC513-611 |
| 55 | FSNT 512-610 | 22212K | SR110X10 | H312 | KM12 | MB12 | TSNG512 | VR512 | LO512 | TA512 | EC512-610 |
| | FSNT 515-612 | 21312K | SR130X12.5 | H312 | KM12 | MB12 | TSNG612 | VR612 | LO612 | TA612 | EC515-612 |
| | FSNT 515-612 | 22312K | SR130X5 | H2312 | KM12 | MB12 | TSNG612 | VR612 | LO612 | TA612 | EC515-612 |
| 60 | FSNT 513-611 | 22213K | SR120X10 | H313 | KM13 | MB13 | TSNG513 | VR513 | LO513 | TA513 | EC513-611 |
| | FSNT 516-613 | 21313K | SR140X12.5 | H313 | KM13 | MB13 | TSNG613 | VR613 | LO613 | TA613 | EC516-613 |
| | FSNT 516-613 | 22313K | SR140X5 | H2313 | KM13 | MB13 | TSNG613 | VR613 | LO613 | TA613 | EC516-613 |
| 65 | FSNT 515-612 | 22215K | SR130X12.5 | H315 | KM15 | MB15 | TSNG515 | VR515 | LO515 | TA515 | EC515-612 |
| | FSNT 518-615 | 21315K | SR160X14 | H315 | KM15 | MB15 | TSNG615 | VR615 | LO615 | TA615 | EC518-615 |
| | FSNT 518-615 | 22315K | SR160X5 | H2315 | KM15 | MB15 | TSNG615 | VR615 | LO615 | TA615 | EC518-615 |
| 70 | FSNT 516-613 | 22216K | SR140X12.5 | H316 | KM16 | MB16 | TSNG516 | VR516 | LO516 | TA516 | EC516-613 |
| | FSNT 519-616 | 21316K | SR170X14.5 | H316 | KM16 | MB16 | TSNG616 | VR616 | LO616 | TA616 | EC519-616 |
| | FSNT 519-616 | 22316K | SR170X5 | H2316 | KM16 | MB16 | TSNG616 | VR616 | LO616 | TA616 | EC519-616 |
| 75 | FSNT 517 | 22217K | SR150X12.5 | H317 | KM17 | MB17 | TSNG517 | VR517 | LO517 | TA517 | EC517 |
| | FSNT 520-617 | 21317K | SR180X14.5 | H317 | KM17 | MB17 | TSNG617 | VR617 | LO617 | TA617 | EC520-617 |
| | FSNT 520-617 | 22317K | SR180X5 | H2317 | KM17 | MB17 | TSNG617 | VR617 | LO617 | TA617 | EC520-617 |

⁽¹⁾Locating rings = minimum two required for fixed position, sold one piece per box.

⁽²⁾Adapter sleeve assembly includes one sleeve, one locknut and one lockwasher.

⁽³⁾Labyrinth, taconite seal, end cover, locknut, lockwasher, sold one piece per box.

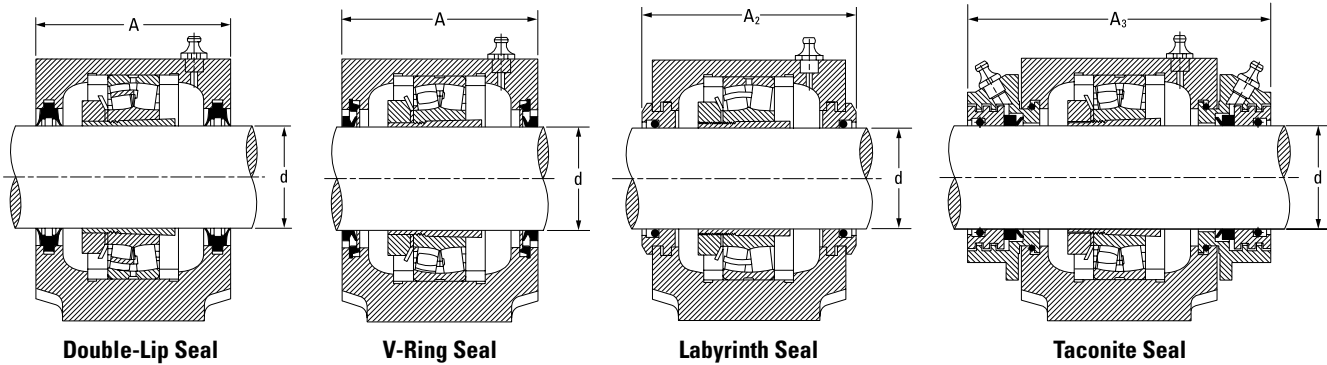
⁽⁴⁾Double-lip and V-ring seals sold two pieces per box.



| Housing Dimensions | | | | | | | | | | | | | | 4 Bolts Req'd | Housing Mass |
|--------------------|----------------|----------------|----------------|-----|----------------|----------------|-----|----------------|----------------|-----|----|----------------|----|------------------|-----------------|
| A | A ₁ | A ₂ | A ₃ | H | H ₁ | H ₂ | J | J ₁ | J ₂ | L | N | N ₁ | G | kg | |
| mm | mm | mm | mm | mm | mm | mm | mm | mm | mm | mm | mm | mm | mm | kg | |
| 95 | 70 | 107 | 155 | 128 | 70 | 28 | 210 | 35 | 234 | 255 | 15 | 20 | 12 | 4.5 | |
| 95 | 70 | 107 | 155 | 128 | 70 | 28 | 210 | 35 | 234 | 255 | 15 | 20 | 12 | 4.5 | |
| 105 | 70 | 117 | 165 | 134 | 70 | 30 | 210 | 35 | 234 | 255 | 15 | 20 | 12 | 5.3 | |
| 105 | 70 | 117 | 165 | 134 | 70 | 30 | 210 | 35 | 234 | 255 | 15 | 20 | 12 | 5.3 | |
| 95 | 70 | 107 | 155 | 128 | 70 | 28 | 210 | 35 | 234 | 255 | 15 | 20 | 12 | 4.5 | |
| 110 | 80 | 122 | 170 | 150 | 80 | 30 | 230 | 40 | 252 | 275 | 15 | 20 | 12 | 6.6 | |
| 110 | 80 | 122 | 170 | 150 | 80 | 30 | 230 | 40 | 252 | 275 | 15 | 20 | 12 | 6.6 | |
| 105 | 70 | 117 | 165 | 134 | 70 | 30 | 210 | 35 | 234 | 255 | 15 | 20 | 12 | 5.3 | |
| 115 | 80 | 127 | 175 | 156 | 80 | 30 | 230 | 40 | 257 | 280 | 15 | 20 | 12 | 6.9 | |
| 115 | 80 | 127 | 175 | 156 | 80 | 30 | 230 | 40 | 257 | 280 | 15 | 20 | 12 | 6.9 | |
| 110 | 80 | 122 | 170 | 150 | 80 | 30 | 230 | 40 | 252 | 275 | 15 | 20 | 12 | 6.6 | |
| 120 | 90 | 138 | 180 | 177 | 95 | 32 | 260 | 50 | 288 | 315 | 18 | 24 | 16 | 9.7 | |
| 120 | 90 | 138 | 180 | 177 | 95 | 32 | 260 | 50 | 288 | 315 | 18 | 24 | 16 | 9.7 | |
| 115 | 80 | 127 | 175 | 156 | 80 | 30 | 230 | 40 | 257 | 280 | 15 | 20 | 12 | 6.9 | |
| 140 | 100 | 158 | 225 | 194 | 100 | 35 | 290 | 50 | 317 | 345 | 18 | 24 | 16 | 13.1 | |
| 140 | 100 | 158 | 225 | 194 | 100 | 35 | 290 | 50 | 317 | 345 | 18 | 24 | 16 | 13.1 | |
| 120 | 90 | 138 | 180 | 177 | 95 | 32 | 260 | 50 | 288 | 315 | 18 | 24 | 16 | 9.7 | |
| 145 | 100 | 163 | 220 | 212 | 112 | 35 | 290 | 50 | 317 | 345 | 18 | 24 | 16 | 14.0 | |
| 145 | 100 | 163 | 220 | 212 | 112 | 35 | 290 | 50 | 317 | 345 | 18 | 24 | 16 | 14.0 | |
| 125 | 90 | 143 | 210 | 183 | 95 | 32 | 260 | 50 | 292 | 320 | 18 | 24 | 16 | 10.4 | |
| 160 | 110 | 178 | 235 | 218 | 112 | 40 | 320 | 60 | 348 | 380 | 18 | 24 | 16 | 17.6 | |
| 160 | 110 | 178 | 235 | 218 | 112 | 40 | 320 | 60 | 348 | 380 | 18 | 24 | 16 | 17.6 | |

Continued on next page.

FOUR-BOLT FSNT HOUSINGS FOR TAPERED BORE BEARINGS (CONTINUED)



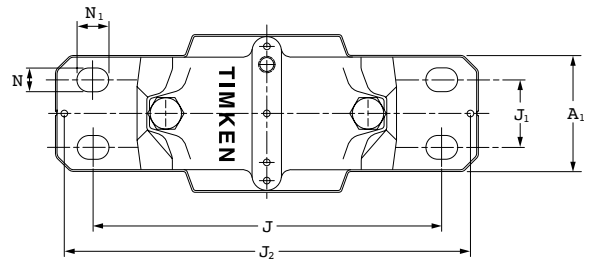
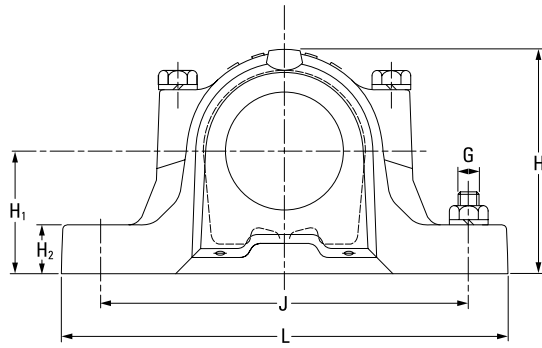
| Shaft Dia. | Housing | Bearing | Locating Rings ⁽¹⁾ | Adapter Sleeve ⁽²⁾ | Locknut ⁽³⁾ | Lockwasher ⁽³⁾ | Double-Lip Seal ⁽⁴⁾ | V-Ring Seal ⁽⁴⁾ | Labyrinth Seal ⁽³⁾ | Taconite Seal ⁽³⁾ | End Cover ⁽³⁾ |
|------------|--------------|---------|-------------------------------|-------------------------------|------------------------|---------------------------|--------------------------------|----------------------------|-------------------------------|------------------------------|--------------------------|
| d | | | O.D. x Width | | | | | | | | |
| mm | | | | | | | | | | | |
| 80 | FSNT 518-615 | 22218K | SR160X12.5 | H318 | KM18 | MB18 | TSNG518 | VR518 | L0518 | TA518 | EC518-615 |
| | FSNT 518-615 | 23218K | SR160X6.25 | H2318 | KM18 | MB18 | TSNG518 | VR518 | L0518 | TA518 | EC518-615 |
| 85 | FSNT 519-616 | 22219K | SR170X12.5 | H319 | KM19 | MB19 | TSNG519 | VR519 | L0519 | TA519 | EC519-616 |
| | FSNT 522-619 | 21319K | SR200X17.5 | H319 | KM19 | MB19 | TSNG619 | VR619 | L0619 | TA619 | EC522-619 |
| | FSNT 522-619 | 22319K | SR200X6.5 | H2319 | KM19 | MB19 | TSNG619 | VR619 | L0619 | TA619 | EC522-619 |
| 90 | FSNT 520-617 | 22220K | SR180X12 | H320 | KM20 | MB20 | TSNG520 | VR520 | L0520 | TA520 | EC520-617 |
| | FSNT 520-617 | 23220K | SR180X4.85 | H2320 | KM20 | MB20 | TSNG520 | VR520 | L0520 | TA520 | EC520-617 |
| | FSNT 524-620 | 21320K | SR215X19.5 | H320 | KM20 | MB20 | TSNG620 | VR620 | L0620 | TA620 | EC524-620 |
| | FSNT 524-620 | 22320K | SR215X6.5 | H2320 | KM20 | MB20 | TSNG620 | VR620 | L0620 | TA620 | EC524-620 |
| 100 | FSNT 522-619 | 22222K | SR200X13.5 | H322 | KM22 | MB22 | TSNG522 | VR522 | L0522 | TA522 | EC522-619 |
| | FSNT 522-619 | 23222K | SR200X5.1 | H2322 | KM22 | MB22 | TSNG522 | VR522 | L0522 | TA522 | EC522-619 |
| 110 | FSNT 524-620 | 22224K | SR215X14 | H3124 | KM24 | MB24 | TSNG524 | VR524 | L0524 | TA524 | EC524-620 |
| | FSNT 524-620 | 23224K | SR215X5 | H2324 | KM24 | MB24 | TSNG524 | VR524 | L0524 | TA524 | EC524-620 |
| 115 | FSNT 526 | 22226K | SR230X13 | H3126 | KM26 | MB26 | TSNG526 | VR526 | L0526 | TA526 | EC526 |
| | FSNT 526 | 23226K | SR230X5 | H2326 | KM26 | MB26 | TSNG526 | VR526 | L0526 | TA526 | EC526 |
| 125 | FSNT 528 | 22228K | SR250X15 | H3128 | KM28 | MB28 | TSNG528 | VR528 | L0528 | TA528 | EC528 |
| | FSNT 528 | 23228K | SR250X5 | H2328 | KM28 | MB28 | TSNG528 | VR528 | L0528 | TA528 | EC528 |
| 135 | FSNT 530 | 22230K | SR270X16.5 | H3130 | KM30 | MB30 | TSNG530 | VR530 | L0530 | TA530 | EC530 |
| | FSNT 530 | 23230K | SR270X5 | H2330 | KM30 | MB30 | TSNG530 | VR530 | L0530 | TA530 | EC530 |
| 140 | FSNT 532 | 22232K | SR290X17 | H3132 | KM32 | MB32 | TSNG532 | VR532 | L0532 | TA532 | EC532 |
| | FSNT 532 | 23232K | SR290X5 | H2332 | KM32 | MB32 | TSNG532 | VR532 | L0532 | TA532 | EC532 |

⁽¹⁾Locating rings = minimum two required for fixed position, sold one piece per box.

⁽²⁾Adapter sleeve assembly includes one sleeve, one locknut and one lockwasher.

⁽³⁾Labyrinth, taconite seal, end cover, locknut, lockwasher, sold one piece per box.

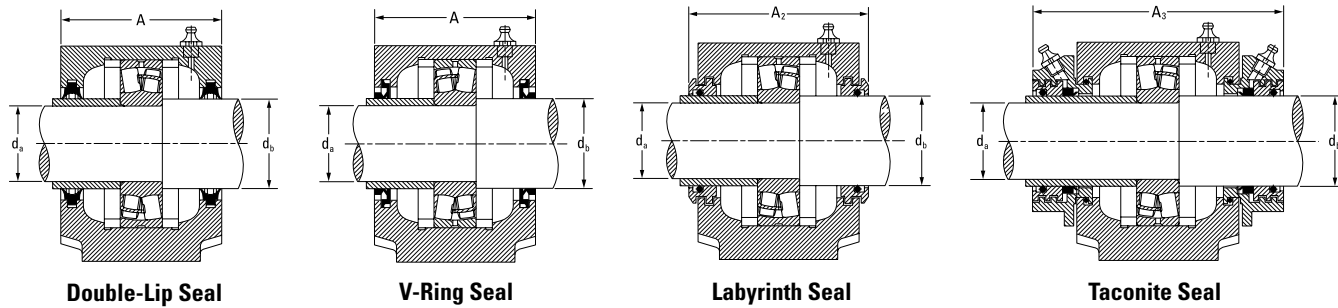
⁽⁴⁾Double-lip and V-ring seals sold two pieces per box.



| Housing Dimensions | | | | | | | | | | | | | 4 Bolts Req'd | Housing Mass | |
|--------------------|----------------|----------------|----------------|-----|----------------|----------------|-----|----------------|----------------|-----|----|----------------|---------------|--------------|----|
| A | A ₁ | A ₂ | A ₃ | H | H ₁ | H ₂ | J | J ₁ | J ₂ | L | N | N ₁ | G | | |
| mm | mm | mm | mm | mm | mm | mm | mm | mm | mm | mm | mm | mm | mm | mm | kg |
| 140 | 100 | 158 | 225 | 194 | 100 | 35 | 290 | 50 | 317 | 345 | 18 | 24 | 16 | 13.1 | |
| 140 | 100 | 158 | 225 | 194 | 100 | 35 | 290 | 50 | 317 | 345 | 18 | 24 | 16 | 13.1 | |
| 145 | 100 | 163 | 220 | 212 | 112 | 35 | 290 | 50 | 317 | 345 | 18 | 24 | 16 | 14.0 | |
| 175 | 120 | 191 | 250 | 242 | 125 | 45 | 350 | 70 | 378 | 410 | 18 | 24 | 16 | 22.3 | |
| 175 | 120 | 191 | 250 | 242 | 125 | 45 | 350 | 70 | 378 | 410 | 18 | 24 | 16 | 22.3 | |
| 160 | 110 | 178 | 235 | 218 | 112 | 40 | 320 | 60 | 348 | 380 | 18 | 24 | 16 | 17.6 | |
| 160 | 110 | 178 | 235 | 218 | 112 | 40 | 320 | 60 | 348 | 380 | 18 | 24 | 16 | 17.6 | |
| 185 | 120 | 199 | 260 | 271 | 140 | 45 | 350 | 70 | 378 | 410 | 18 | 24 | 16 | 26.5 | |
| 185 | 120 | 199 | 260 | 271 | 140 | 45 | 350 | 70 | 378 | 410 | 18 | 24 | 16 | 26.5 | |
| 175 | 120 | 191 | 250 | 242 | 125 | 45 | 350 | 70 | 378 | 410 | 18 | 24 | 16 | 22.3 | |
| 175 | 120 | 191 | 250 | 242 | 125 | 45 | 350 | 70 | 378 | 410 | 18 | 24 | 16 | 22.3 | |
| 185 | 120 | 199 | 260 | 271 | 140 | 45 | 350 | 70 | 378 | 410 | 18 | 24 | 16 | 26.5 | |
| 185 | 120 | 199 | 260 | 271 | 140 | 45 | 350 | 70 | 378 | 410 | 18 | 24 | 16 | 26.5 | |
| 190 | 130 | 208 | 265 | 290 | 150 | 50 | 380 | 70 | 414 | 445 | 22 | 28 | 20 | 34.0 | |
| 190 | 130 | 208 | 265 | 290 | 150 | 50 | 380 | 70 | 414 | 445 | 22 | 28 | 20 | 34.0 | |
| 205 | 150 | 223 | 285 | 302 | 150 | 50 | 420 | 80 | 458 | 500 | 26 | 32 | 24 | 39.0 | |
| 205 | 150 | 223 | 285 | 302 | 150 | 50 | 420 | 80 | 458 | 500 | 26 | 32 | 24 | 39.0 | |
| 220 | 160 | 241 | 295 | 323 | 160 | 60 | 450 | 90 | 486 | 530 | 26 | 32 | 24 | 48.0 | |
| 220 | 160 | 241 | 295 | 323 | 160 | 60 | 450 | 90 | 486 | 530 | 26 | 32 | 24 | 48.0 | |
| 235 | 160 | 254 | 315 | 344 | 170 | 60 | 470 | 90 | 506 | 550 | 26 | 32 | 24 | 54.5 | |
| 235 | 160 | 254 | 315 | 344 | 170 | 60 | 470 | 90 | 506 | 550 | 26 | 32 | 24 | 54.5 | |

TWO-BOLT SNT HOUSINGS FOR CYLINDRICAL BORE BEARINGS

- The basic numbers for ordering plummer block housings and components are listed in the table below.
- Each housing includes the housing cap, base and cap bolts.
- Assemblies shown are furnished in cast iron. If cast steel is desired, add the letter S to the alpha prefix (e.g., SNTS 518). If ductile iron is desired, add the letter D to the alpha prefix (e.g., SNTD 505).
- Seal sleeve for d_a shaft to be supplied by customer and should have same O.D. as d_b .

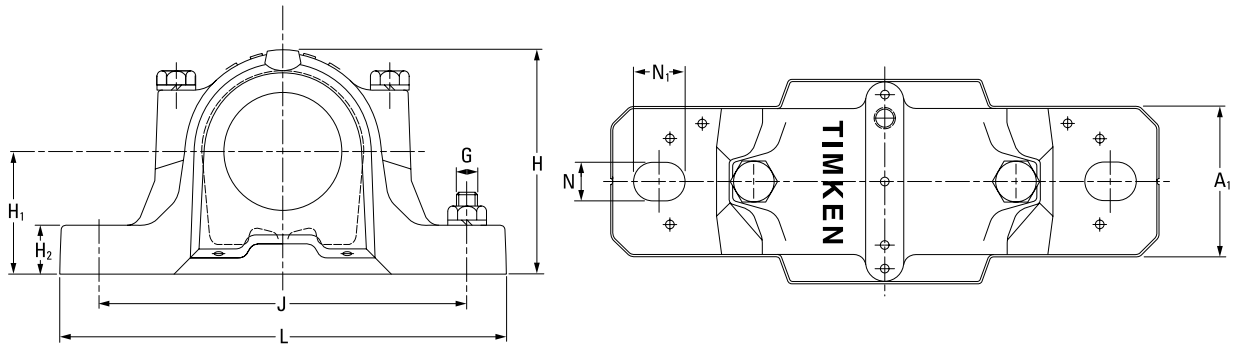


| Shaft Dia. | | Housing | Bearing | Locating Rings ⁽¹⁾ O.D. x Width | Double-Lip Seal ⁽²⁾ | V-Ring Seal ⁽²⁾ | Labyrinth Seal ⁽³⁾ | Taconite Seal ⁽³⁾ | End Cover ⁽³⁾ |
|------------|-------|---|-------------------------|---|--------------------------------|----------------------------|-------------------------------|------------------------------|-------------------------------------|
| d_a | d_b | | | | | | | | |
| mm | mm | | | | | | | | |
| 25 | 30 | SNT 205 SNT 206-305 | 22205 21305 | SR52X3.5 SR62X7.5 | TSNG205 TSNG305 | – VR305 | L0205 L0305 | TA205 TA305 | EC506-605 EC507-606 |
| 30 | 35 | SNT 206-305 SNT 507-606 | 22206 21306 | SR62X6 SR72X7.5 | TSNG206 TSNG306 | VR206 VR306 | L0206 L0306 | TA206 TA306 | EC507-606 EC507-606 |
| 35 | 45 | SNT 207 SNT 208-307 | 22207 21307 | SR72X5.5 SR80X9 | TSNG207 TSNG307 | VR207 VR307 | L0207 L0307 | TA207 TA307 | EC509 EC510-608 |
| 40 | 50 | SNT 208-307 SNT 510-608 SNT 510-608 | 22208 21308 22308 | SR80X8 SR90X9 SR90X4 | TSNG208 TSNG308 TSNG308 | VR208 VR308 VR308 | L0208 L0308 L0308 | TA208 TA308 TA308 | EC510-608 EC510-608 EC510-608 |
| 45 | 55 | SNT 209 SNT 511-609 SNT 511-609 | 22209 21309 22309 | SR85X3.5 SR100X9.5 SR100X4 | TSNG209 TSNG309 TSNG309 | VR209 VR309 VR309 | L0209 L0309 L0309 | TA209 TA309 TA309 | EC511-609 EC511-609 EC511-609 |
| 50 | 60 | SNT 210 SNT 512-610 SNT 512-610 | 22210 21310 22310 | SR90X9 SR110X10.5 SR110X4 | TSNG210 TSNG310 TSNG310 | VR210 VR310 VR310 | L0210 L0310 L0310 | TA210 TA310 TA310 | EC512-610 EC512-610 EC512-610 |
| 55 | 65 | SNT 211 SNT 513-611 SNT 513-611 | 22211 21311 22311 | SR100X9.5 SR120X11 SR120X4 | TSNG211 TSNG311 TSNG311 | VR211 VR311 VR311 | L0211 L0311 L0311 | TA211 TA311 TA311 | EC513-611 EC513-611 EC513-611 |
| 60 | 70 | SNT 212 SNT 515-612 SNT 515-612 | 22212 21312 22312 | SR110X10 SR130X12.5 SR130X5 | TSNG212 TSNG312 TSNG312 | VR212 VR312 VR312 | L0212 L0312 L0312 | TA212 TA312 TA312 | EC515-612 EC515-612 EC515-612 |
| 65 | 75 | SNT 213 SNT 516-613 SNT 516-613 | 22213 21313 22313 | SR120X10 SR140X12.5 SR140X5 | TSNG213 TSNG313 TSNG313 | VR213 VR313 VR313 | L0213 L0313 L0313 | TA213 TA313 TA313 | EC516-613 EC516-613 EC516-613 |
| 70 | 80 | SNT 517 SNT 517 | 22314 21314 | SR150X5 SR150X13 | TSNG314 TSNG314 | VR314 VR314 | L0314 L0314 | TA314 TA314 | EC517 EC517 |

⁽¹⁾Locating rings = minimum two required for fixed position, sold one piece per box.

⁽²⁾Double-lip and V-ring seals sold two pieces per box. Consult your Timken engineer for double-lip seal availability.

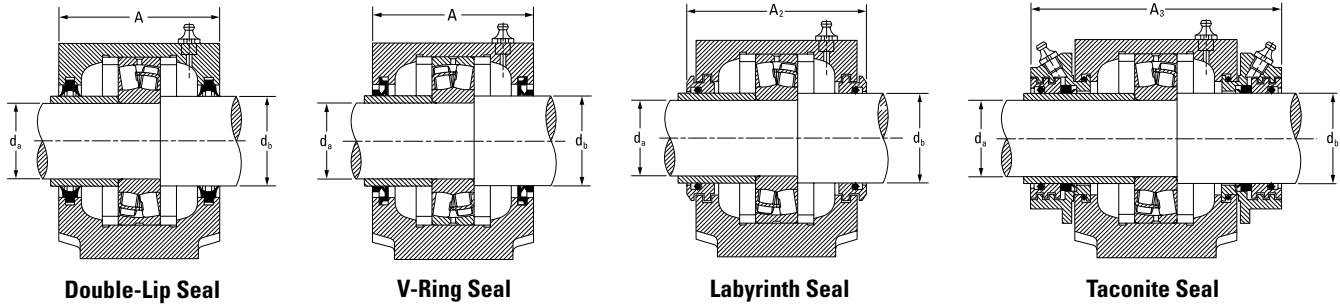
⁽³⁾Labyrinth, taconite seal and end cover, sold one piece per box.



| Housing Dimensions | | | | | | | | | | | | | 2 Bolts Req'd | Housing Mass |
|--------------------|----------------|----------------|----------------|-----|----------------|----------------|-------|-----|-------|-----|----|----------------|------------------|-----------------|
| A | A ₁ | A ₂ | A ₃ | H | H ₁ | H ₂ | J min | J | J max | L | N | N ₁ | G | |
| mm | mm | mm | mm | mm | mm | mm | mm | mm | mm | mm | mm | mm | mm | kg |
| 67 | 46 | 90 | 140 | 74 | 40 | 19 | 123 | 130 | 137 | 165 | 15 | 20 | 12 | 1.5 |
| 77 | 52 | 89 | 150 | 89 | 50 | 22 | 143 | 150 | 157 | 185 | 15 | 20 | 12 | 2.0 |
| 77 | 52 | 89 | 150 | 89 | 50 | 22 | 143 | 150 | 157 | 185 | 15 | 20 | 12 | 2.0 |
| 82 | 52 | 94 | 140 | 93 | 50 | 22 | 143 | 150 | 157 | 185 | 15 | 20 | 12 | 2.2 |
| 82 | 52 | 96 | 155 | 93 | 50 | 22 | 143 | 150 | 157 | 185 | 15 | 20 | 12 | 2.2 |
| 85 | 60 | 99 | 160 | 108 | 60 | 25 | 165 | 170 | 175 | 205 | 15 | 20 | 12 | 2.9 |
| 85 | 60 | 99 | 160 | 108 | 60 | 25 | 165 | 170 | 175 | 205 | 15 | 20 | 12 | 2.9 |
| 90 | 60 | 102 | 150 | 113 | 60 | 25 | 165 | 170 | 175 | 205 | 15 | 20 | 12 | 3.2 |
| 90 | 60 | 102 | 150 | 113 | 60 | 25 | 165 | 170 | 175 | 205 | 15 | 20 | 12 | 3.2 |
| 85 | 60 | 97 | 160 | 109 | 60 | 25 | 165 | 170 | 175 | 205 | 15 | 20 | 12 | 2.9 |
| 95 | 70 | 107 | 155 | 128 | 70 | 28 | 205 | 210 | 215 | 255 | 18 | 24 | 16 | 4.5 |
| 95 | 70 | 107 | 155 | 128 | 70 | 28 | 205 | 210 | 215 | 255 | 18 | 24 | 16 | 4.5 |
| 90 | 60 | 102 | 165 | 113 | 60 | 25 | 165 | 170 | 175 | 205 | 15 | 20 | 12 | 3.2 |
| 105 | 70 | 117 | 165 | 134 | 70 | 30 | 205 | 210 | 215 | 255 | 18 | 24 | 16 | 5.3 |
| 105 | 70 | 117 | 165 | 134 | 70 | 30 | 205 | 210 | 215 | 255 | 18 | 24 | 16 | 5.3 |
| 95 | 70 | 107 | 170 | 128 | 70 | 28 | 205 | 210 | 215 | 255 | 18 | 24 | 16 | 4.5 |
| 110 | 80 | 122 | 170 | 150 | 80 | 30 | 224 | 230 | 236 | 275 | 18 | 24 | 16 | 6.6 |
| 110 | 80 | 122 | 170 | 150 | 80 | 30 | 224 | 230 | 236 | 275 | 18 | 24 | 16 | 6.6 |
| 105 | 70 | 117 | 180 | 134 | 70 | 30 | 205 | 210 | 215 | 255 | 18 | 24 | 16 | 5.2 |
| 115 | 80 | 127 | 175 | 156 | 80 | 30 | 222 | 230 | 238 | 280 | 18 | 24 | 16 | 6.9 |
| 115 | 80 | 127 | 175 | 156 | 80 | 30 | 222 | 230 | 238 | 280 | 18 | 24 | 16 | 6.9 |
| 110 | 80 | 128 | 190 | 149 | 80 | 30 | 222 | 230 | 238 | 275 | 18 | 24 | 16 | 6.6 |
| 120 | 90 | 138 | 180 | 177 | 95 | 32 | 252 | 260 | 268 | 315 | 22 | 28 | 20 | 9.7 |
| 120 | 90 | 138 | 180 | 177 | 95 | 32 | 252 | 260 | 268 | 315 | 22 | 28 | 20 | 9.7 |
| 125 | 90 | 143 | 210 | 183 | 95 | 32 | 252 | 260 | 268 | 320 | 22 | 28 | 20 | 10.4 |
| 125 | 90 | 143 | 210 | 183 | 95 | 32 | 252 | 260 | 268 | 320 | 22 | 28 | 20 | 10.4 |

Continued on next page.

TWO-BOLT SNT HOUSINGS FOR CYLINDRICAL BORE BEARINGS (CONTINUED)

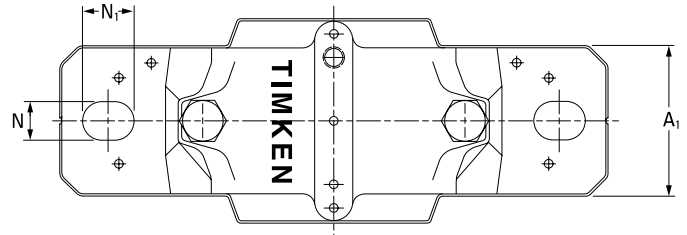
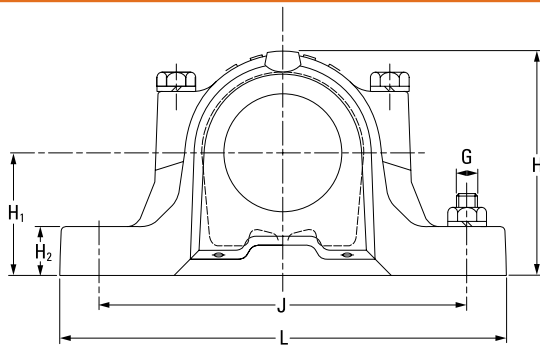


| Shaft Dia. | | Housing | Bearing | Locating Rings ⁽¹⁾ O.D. x Width | Double-Lip Seal ⁽²⁾ | V-Ring Seal ⁽²⁾ | Labyrinth Seal ⁽³⁾ | Taconite Seal ⁽³⁾ | End Cover ⁽³⁾ |
|------------|-------|-------------|---------|---|--------------------------------|----------------------------|-------------------------------|------------------------------|--------------------------|
| d_a | d_b | | | | | | | | |
| mm | mm | | | | | | | | |
| 75 | 85 | SNT 215 | 22215 | SR130X12.5 | TSNG215 | VR215 | L0215 | TA215 | EC518-615 |
| | | SNT 518-615 | 21315 | SR160X14 | TSNG315 | VR315 | L0315 | TA315 | EC518-615 |
| | | SNT 518-615 | 22315 | SR160X5 | TSNG315 | VR315 | L0315 | TA315 | EC518-615 |
| 80 | 90 | SNT 216 | 22216 | SR140X10 | TSNG216 | VR216 | L0216 | TA216 | EC216 |
| | | SNT 519-616 | 21316 | SR170X14.5 | TSNG316 | VR316 | L0316 | TA316 | EC519-616 |
| | | SNT 519-616 | 22316 | SR170X5 | TSNG316 | VR316 | L0316 | TA316 | EC519-616 |
| 85 | 95 | SNT 217 | 22217 | SR150X12.5 | TSNG217 | VR217 | L0217 | TA217 | EC217 |
| | | SNT 520-617 | 21317 | SR180X14.5 | TSNG317 | VR317 | L0317 | TA317 | EC520-617 |
| | | SNT 520-617 | 22317 | SR180X5 | TSNG317 | VR317 | L0317 | TA317 | EC520-617 |
| 90 | 100 | SNT 218 | 22218 | SR160X12.5 | TSNG218 | VR218 | L0218 | TA218 | EC218 |
| | | SNT 218 | 23218 | SR160X6.25 | TSNG218 | VR218 | L0218 | TA218 | EC218 |
| 95 | 110 | SNT 522-619 | 21319 | SR200X17.5 | TSNG319 | VR319 | L0319 | TA319 | EC522-619 |
| | | SNT 522-619 | 22319 | SR200X6.5 | TSNG319 | VR319 | L0319 | TA319 | EC522-619 |
| 100 | 115 | SNT 520-617 | 22220 | SR180X12 | TSNG220 | VR220 | L0220 | TA220 | EC520-617 |
| | | SNT 520-617 | 23220 | SR180X4.85 | TSNG220 | VR220 | L0220 | TA220 | EC520-617 |
| | | SNT 524-620 | 21320 | SR215X19.5 | TSNG320 | VR320 | L0320 | TA320 | EC524-620 |
| | | SNT 524-620 | 22320 | SR215X6.5 | TSNG320 | VR320 | L0320 | TA320 | EC524-620 |
| 110 | 125 | SNT 522-619 | 22222 | SR200X13.5 | TSNG222 | VR222 | L0222 | TA222 | EC522-619 |
| | | SNT 522-619 | 23222 | SR200X5.1 | TSNG222 | VR222 | L0222 | TA222 | EC522-619 |
| 120 | 135 | SNT 524-620 | 22224 | SR215X14 | TSNG224 | VR224 | L0224 | TA224 | EC 524-620 |
| | | SNT 524-620 | 23224 | SR215X5 | TSNG224 | VR224 | L0224 | TA224 | EC 524-620 |
| 130 | 145 | SNT 526 | 22226 | SR230X13 | TSNG226 | VR226 | L0226 | TA226 | EC526 |
| | | SNT 526 | 23226 | SR230X5 | TSNG226 | VR226 | L0226 | TA226 | EC526 |
| 140 | 155 | SNT 528 | 22228 | SR250X15 | TSNG228 | VR228 | L0228 | TA228 | EC528 |
| | | SNT 528 | 23228 | SR250X5 | TSNG228 | VR228 | L0228 | TA228 | EC528 |
| 150 | 165 | SNT 530 | 22230 | SR270X16.5 | TSNG230 | VR230 | L0230 | TA230 | EC530 |
| | | SNT 530 | 23230 | SR270X5 | TSNG230 | VR230 | L0230 | TA230 | EC530 |
| 160 | 175 | SNT 532 | 22232 | SR290X17 | TSNG232 | VR232 | L0232 | TA232 | EC532 |
| | | SNT 532 | 23232 | SR290X5 | TSNG232 | VR232 | L0232 | TA232 | EC532 |

⁽¹⁾Locating rings = minimum two required for fixed position, sold one piece per box.

⁽²⁾Double-lip and V-ring seals sold two pieces per box. Consult your Timken engineer for double-lip seal availability.

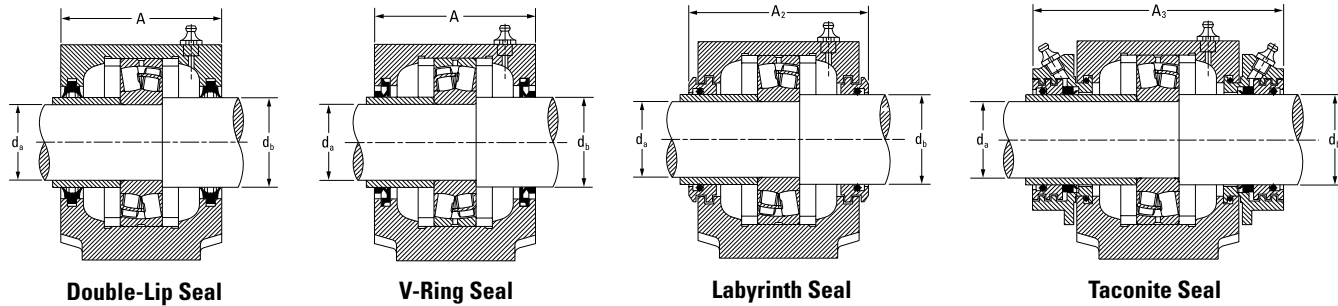
⁽³⁾Labyrinth, taconite seal and end cover, sold one piece per box.



| Housing Dimensions | | | | | | | | | | | | | 2 Bolts Req'd | Housing Mass |
|--------------------|----------------|----------------|----------------|-----|----------------|----------------|-------|-----|-------|-----|----|----------------|------------------|-----------------|
| A | A ₁ | A ₂ | A ₃ | H | H ₁ | H ₂ | J min | J | J max | L | N | N ₁ | G | kg |
| mm | mm | mm | mm | mm | mm | mm | mm | mm | mm | mm | mm | mm | mm | kg |
| 115 | 80 | 133 | 195 | 155 | 80 | 30 | 222 | 230 | 238 | 280 | 18 | 24 | 16 | 6.9 |
| 140 | 100 | 158 | 225 | 194 | 100 | 35 | 285 | 290 | 295 | 345 | 22 | 28 | 20 | 13.1 |
| 140 | 100 | 158 | 225 | 194 | 100 | 35 | 285 | 290 | 295 | 345 | 22 | 28 | 20 | 13.1 |
| 120 | 90 | 138 | 200 | 177 | 95 | 32 | 252 | 260 | 268 | 315 | 22 | 28 | 20 | 9.7 |
| 145 | 100 | 163 | 220 | 212 | 112 | 35 | 285 | 290 | 295 | 345 | 22 | 28 | 20 | 14.0 |
| 145 | 100 | 163 | 220 | 212 | 112 | 35 | 285 | 290 | 295 | 345 | 22 | 28 | 20 | 14.0 |
| 125 | 90 | 143 | 205 | 183 | 95 | 32 | 252 | 260 | 268 | 320 | 22 | 28 | 20 | 10.4 |
| 160 | 110 | 178 | 235 | 218 | 112 | 40 | 314 | 320 | 326 | 380 | 26 | 32 | 24 | 17.6 |
| 160 | 110 | 178 | 235 | 218 | 112 | 40 | 314 | 320 | 326 | 380 | 26 | 32 | 24 | 17.6 |
| 140 | 100 | 158 | 220 | 194 | 100 | 35 | 285 | 290 | 295 | 345 | 22 | 28 | 20 | 13.1 |
| 140 | 100 | 158 | 220 | 194 | 100 | 35 | 285 | 290 | 295 | 345 | 22 | 28 | 20 | 13.1 |
| 175 | 120 | 191 | 250 | 242 | 125 | 45 | 344 | 350 | 356 | 410 | 26 | 32 | 24 | 22.3 |
| 175 | 120 | 191 | 250 | 242 | 125 | 45 | 344 | 350 | 356 | 410 | 26 | 32 | 24 | 22.3 |
| 160 | 110 | 178 | 235 | 218 | 112 | 40 | 314 | 320 | 326 | 380 | 26 | 32 | 24 | 17.6 |
| 160 | 110 | 178 | 235 | 218 | 112 | 40 | 314 | 320 | 326 | 380 | 26 | 32 | 24 | 17.6 |
| 185 | 120 | 199 | 260 | 271 | 140 | 45 | 344 | 350 | 356 | 410 | 26 | 32 | 24 | 26.5 |
| 185 | 120 | 199 | 260 | 271 | 140 | 45 | 344 | 350 | 356 | 410 | 26 | 32 | 24 | 26.5 |
| 175 | 120 | 191 | 250 | 242 | 125 | 45 | 344 | 350 | 356 | 410 | 26 | 32 | 24 | 22.3 |
| 175 | 120 | 191 | 250 | 242 | 125 | 45 | 344 | 350 | 356 | 410 | 26 | 32 | 24 | 22.3 |
| 185 | 120 | 199 | 260 | 271 | 140 | 45 | 344 | 350 | 356 | 410 | 26 | 32 | 24 | 26.5 |
| 185 | 120 | 199 | 260 | 271 | 140 | 45 | 344 | 350 | 356 | 410 | 26 | 32 | 24 | 26.5 |
| 190 | 130 | 208 | 265 | 290 | 150 | 50 | 373 | 380 | 387 | 445 | 28 | 35 | 24 | 34.0 |
| 190 | 130 | 208 | 265 | 290 | 150 | 50 | 373 | 380 | 387 | 445 | 28 | 35 | 24 | 34.0 |
| 205 | 150 | 223 | 285 | 302 | 150 | 50 | 413 | 420 | 427 | 500 | 35 | 42 | 30 | 39.0 |
| 205 | 150 | 223 | 285 | 302 | 150 | 50 | 413 | 420 | 427 | 500 | 35 | 42 | 30 | 39.0 |
| 220 | 160 | 241 | 295 | 323 | 160 | 60 | 443 | 450 | 457 | 530 | 35 | 42 | 30 | 48.0 |
| 220 | 160 | 241 | 295 | 323 | 160 | 60 | 443 | 450 | 457 | 530 | 35 | 42 | 30 | 48.0 |
| 235 | 160 | 254 | 315 | 344 | 170 | 60 | 463 | 470 | 477 | 550 | 35 | 42 | 30 | 54.5 |
| 235 | 160 | 254 | 315 | 344 | 170 | 60 | 463 | 470 | 477 | 550 | 35 | 42 | 30 | 54.5 |

FOUR-BOLT FSNT HOUSINGS FOR CYLINDRICAL BORE BEARINGS

- The basic numbers for ordering plummer block housings and components are listed in the table below.
- Each housing includes the housing cap, base and cap bolts.
- Assemblies shown are furnished in cast iron. If cast steel is desired, add the letter S to the alpha prefix (e.g., SNTS 518). If ductile iron is desired, add the letter D to the alpha prefix (e.g., SNTD 505).
- Seal sleeve for d_a shaft to be supplied by customer and should have same O.D. as d_b .

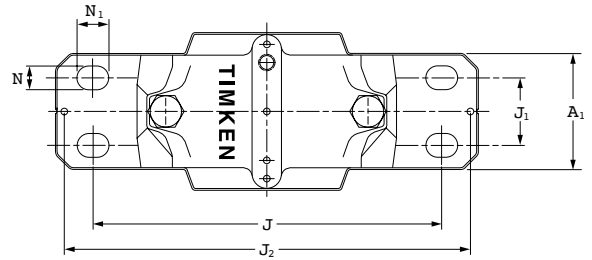
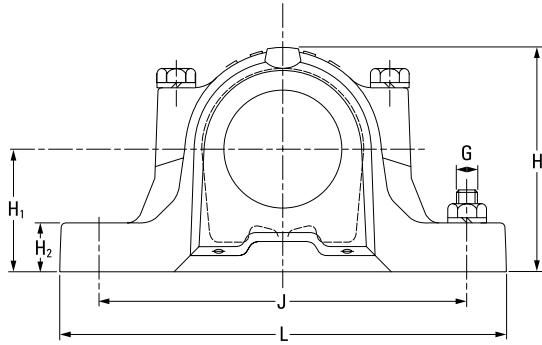


| Shaft Dia. | | Housing | Bearing | Locating Rings ⁽¹⁾ O.D. x Width | Double-Lip Seal ⁽²⁾ | V-Ring Seal ⁽²⁾ | Labyrinth Seal ⁽³⁾ | Taconite Seal ⁽³⁾ | End Cover ⁽³⁾ |
|------------|-------|--------------|---------|---|--------------------------------|----------------------------|-------------------------------|------------------------------|--------------------------|
| d_a | d_b | | | | | | | | |
| mm | mm | | | | | | | | |
| 35 | 45 | FSNT 208-307 | 21307 | SR80X9 | TSNG307 | VR307 | L0307 | TA307 | EC510-608 |
| 40 | 50 | FSNT 208-307 | 22208 | SR80X8 | TSNG208 | VR208 | L0208 | TA208 | EC510-608 |
| | | FSNT 510-608 | 21308 | SR90X9 | TSNG308 | VR308 | L0308 | TA308 | EC510-608 |
| | | FSNT 510-608 | 22308 | SR90X4 | TSNG308 | VR308 | L0308 | TA308 | EC510-608 |
| 45 | 55 | FSNT 209 | 22209 | SR85X3.5 | TSNG209 | VR209 | L0209 | TA209 | EC511-609 |
| | | FSNT 511-609 | 21309 | SR100X9.5 | TSNG309 | VR309 | L0309 | TA309 | EC511-609 |
| | | FSNT 511-609 | 22309 | SR100X4 | TSNG309 | VR309 | L0309 | TA309 | EC511-609 |
| 50 | 60 | FSNT 210 | 22210 | SR90X9 | TSNG210 | VR210 | L0210 | TA210 | EC512-610 |
| | | FSNT 512-610 | 21310 | SR110X10.5 | TSNG310 | VR310 | L0310 | TA310 | EC512-610 |
| | | FSNT 512-610 | 22310 | SR110X 4 | TSNG310 | VR310 | L0310 | TA310 | EC512-610 |
| 55 | 65 | FSNT 211 | 22211 | SR100X9.5 | TSNG211 | VR211 | L0211 | TA211 | EC513-611 |
| | | FSNT 513-611 | 21311 | SR120X11 | TSNG311 | VR311 | L0311 | TA311 | EC513-611 |
| | | FSNT 513-611 | 22311 | SR120X4 | TSNG311 | VR311 | L0311 | TA311 | EC513-611 |
| 60 | 70 | FSNT 212 | 22212 | SR110X10 | TSNG212 | VR212 | L0212 | TA212 | EC515-612 |
| | | FSNT 515-612 | 21312 | SR130X12.5 | TSNG312 | VR312 | L0312 | TA312 | EC515-612 |
| | | FSNT 515-612 | 22312 | SR130X5 | TSNG312 | VR312 | L0312 | TA312 | EC515-612 |
| 65 | 75 | FSNT 213 | 22213 | SR120X10 | TSNG213 | VR213 | L0213 | TA213 | EC516-613 |
| | | FSNT 516-613 | 21313 | SR140X12.5 | TSNG313 | VR313 | L0313 | TA313 | EC516-613 |
| | | FSNT 516-613 | 22313 | SR140X5 | TSNG313 | VR313 | L0313 | TA313 | EC516-613 |
| 70 | 80 | FSNT 517 | 22314 | SR150X5 | TSNG314 | VR314 | L0314 | TA314 | EC517 |
| | | FSNT 517 | 21314 | SR150X13 | TSNG314 | VR314 | L0314 | TA314 | EC517 |
| 75 | 85 | FSNT 215 | 22215 | SR130X12.5 | TSNG215 | VR215 | L0215 | TA215 | EC518-615 |
| | | FSNT 518-615 | 21315 | SR160X14 | TSNG315 | VR315 | L0315 | TA315 | EC518-615 |
| | | FSNT 518-615 | 22315 | SR160X5 | TSNG315 | VR315 | L0315 | TA315 | EC518-615 |
| 80 | 90 | FSNT 216 | 22216 | SR140X10 | TSNG216 | VR216 | L0216 | TA216 | EC216 |
| | | FSNT 519-616 | 21316 | SR170X14.5 | TSNG316 | VR316 | L0316 | TA316 | EC519-616 |
| | | FSNT 519-616 | 22316 | SR170X5 | TSNG316 | VR316 | L0316 | TA316 | EC519-616 |

⁽¹⁾Locating rings = minimum two required for fixed position, sold one piece per box.

⁽²⁾Double-lip and V-ring seal sold two pieces per box. Consult with your Timken engineer for double-lip seal availability.

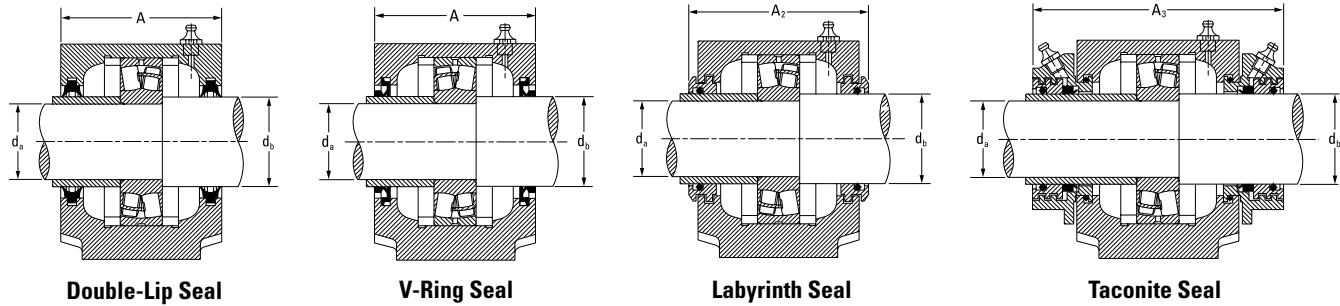
⁽³⁾Labyrinth, taconite seal and end cover, sold one piece per box.



| Housing Dimensions | | | | | | | | | | | | | 4 Bolts Req'd | Housing Mass |
|--------------------|----------------|----------------|----------------|-----|----------------|----------------|-----|----------------|----------------|-----|----|----------------|------------------|-----------------|
| A | A ₁ | A ₂ | A ₃ | H | H ₁ | H ₂ | J | J ₁ | J ₂ | L | N | N ₁ | G | kg |
| mm | mm | mm | mm | mm | mm | mm | mm | mm | mm | mm | mm | mm | mm | kg |
| 85 | 60 | 99 | 160 | 108 | 60 | 25 | 160 | 34 | – | 205 | 11 | – | 12 | 2.9 |
| 85 | 60 | 99 | 160 | 108 | 60 | 25 | 160 | 34 | – | 205 | 11 | – | 12 | 2.9 |
| 90 | 60 | 102 | 150 | 113 | 60 | 25 | 160 | 34 | – | 205 | – | 11 | 12 | 3.2 |
| 90 | 60 | 102 | 150 | 113 | 60 | 25 | 160 | 34 | – | 205 | – | 11 | 12 | 3.2 |
| 85 | 60 | 97 | 160 | 109 | 60 | 25 | 160 | 34 | – | 205 | 11 | – | 12 | 2.9 |
| 95 | 70 | 107 | 155 | 128 | 70 | 28 | 210 | 35 | – | 255 | 15 | 20 | 16 | 4.5 |
| 95 | 70 | 107 | 155 | 128 | 70 | 28 | 210 | 35 | – | 255 | 15 | 20 | 16 | 4.5 |
| 90 | 60 | 102 | 165 | 113 | 60 | 25 | 160 | 34 | – | 205 | 11 | – | 12 | 3.2 |
| 105 | 70 | 117 | 165 | 134 | 70 | 30 | 210 | 35 | – | 255 | 15 | 20 | 16 | 5.3 |
| 105 | 70 | 117 | 165 | 134 | 70 | 30 | 210 | 35 | – | 255 | 15 | 20 | 16 | 5.3 |
| 95 | 70 | 107 | 170 | 128 | 70 | 28 | 200 | 40 | – | 255 | 14 | – | 16 | 4.5 |
| 110 | 80 | 122 | 170 | 150 | 80 | 30 | 230 | 40 | – | 275 | 15 | 20 | 16 | 6.6 |
| 110 | 80 | 122 | 170 | 150 | 80 | 30 | 230 | 40 | – | 275 | 15 | 20 | 16 | 6.6 |
| 105 | 70 | 117 | 180 | 134 | 70 | 30 | 200 | 40 | – | 255 | 14 | – | 16 | 5.2 |
| 115 | 80 | 127 | 175 | 156 | 80 | 30 | 230 | 40 | – | 280 | 15 | 20 | 16 | 6.9 |
| 115 | 80 | 127 | 175 | 156 | 80 | 30 | 230 | 40 | – | 280 | 15 | 20 | 16 | 6.9 |
| 110 | 80 | 128 | 190 | 149 | 80 | 30 | 220 | 48 | – | 275 | 14 | – | 16 | 6.6 |
| 120 | 90 | 138 | 180 | 177 | 95 | 32 | 260 | 50 | – | 315 | 18 | 24 | 20 | 9.7 |
| 120 | 90 | 138 | 180 | 177 | 95 | 32 | 260 | 50 | – | 315 | 18 | 24 | 20 | 9.7 |
| 125 | 90 | 143 | 210 | 183 | 95 | 32 | 260 | 50 | – | 320 | 18 | 24 | 20 | 10.4 |
| 125 | 90 | 143 | 210 | 183 | 95 | 32 | 260 | 50 | – | 320 | 18 | 24 | 20 | 10.4 |
| 115 | 80 | 133 | 195 | 155 | 80 | 30 | 220 | 48 | – | 280 | 14 | – | 16 | 6.9 |
| 140 | 100 | 158 | 225 | 194 | 100 | 35 | 290 | 50 | – | 345 | 18 | 24 | 20 | 13.1 |
| 140 | 100 | 158 | 225 | 194 | 100 | 35 | 290 | 50 | – | 345 | 18 | 24 | 20 | 13.1 |
| 120 | 90 | 138 | 200 | 177 | 95 | 32 | 252 | 52 | – | 315 | 18 | – | 20 | 9.7 |
| 145 | 100 | 163 | 220 | 212 | 112 | 35 | 290 | 50 | – | 345 | 18 | 24 | 20 | 14.0 |
| 145 | 100 | 163 | 220 | 212 | 112 | 35 | 290 | 50 | – | 345 | 18 | 24 | 20 | 14.0 |

Continued on next page.

FOUR-BOLT FSNT HOUSINGS FOR CYLINDRICAL BORE BEARINGS (CONTINUED)

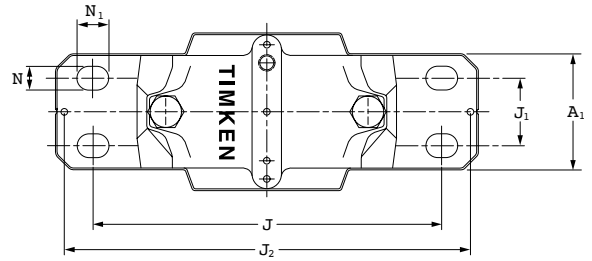
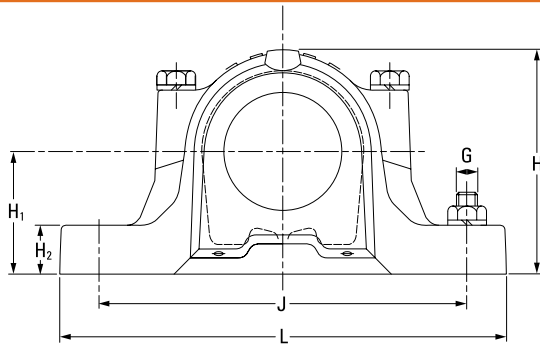


| Shaft Dia. | | Housing | Bearing | Locating Rings ⁽¹⁾ O.D. x Width | Double-Lip Seal ⁽²⁾ | V-Ring Seal ⁽²⁾ | Labyrinth Seal ⁽³⁾ | Taconite Seal ⁽³⁾ | End Cover ⁽³⁾ |
|------------|-------|--------------|---------|---|--------------------------------|----------------------------|-------------------------------|------------------------------|--------------------------|
| d_a | d_b | | | | | | | | |
| mm | mm | | | | | | | | |
| 85 | 95 | FSNT 217 | 22217 | SR150X12.5 | TSNG217 | VR217 | L0217 | TA217 | EC217 |
| | | FSNT 520-617 | 21317 | SR180X14.5 | TSNG317 | VR317 | L0317 | TA317 | EC520-617 |
| | | FSNT 520-617 | 22317 | SR180X5 | TSNG317 | VR317 | L0317 | TA317 | EC520-617 |
| 90 | 100 | FSNT 218 | 22218 | SR160X12.5 | TSNG218 | VR218 | L0218 | TA218 | EC218 |
| | | FSNT 218 | 23218 | SR160X6.25 | TSNG218 | VR218 | L0218 | TA218 | EC218 |
| 95 | 110 | FSNT 522-619 | 21319 | SR200X17.5 | TSNG319 | VR219 | L0319 | TA319 | EC522-619 |
| | | FSNT 522-619 | 22319 | SR200X6.5 | TSNG319 | VR219 | L0319 | TA319 | EC522-619 |
| 100 | 115 | FSNT 520-617 | 22220 | SR180X12 | TSNG220 | VR220 | L0220 | TA220 | EC520-617 |
| | | FSNT 520-617 | 23220 | SR180X4.85 | TSNG220 | VR220 | L0220 | TA220 | EC520-617 |
| | | FSNT 524-620 | 21320 | SR215X19.5 | TSNG320 | VR320 | L0320 | TA320 | EC524-620 |
| | | FSNT 524-620 | 22320 | SR215X6.5 | TSNG320 | VR320 | L0320 | TA320 | EC524-620 |
| 110 | 125 | FSNT 522-619 | 22222 | SR200X13.5 | TSNG222 | VR222 | L0222 | TA222 | EC522-619 |
| | | FSNT 522-619 | 23222 | SR200X5.1 | TSNG222 | VR222 | L0222 | TA222 | EC522-619 |
| 120 | 135 | FSNT 524-620 | 22224 | SR215X14 | TSNG224 | VR224 | L0224 | TA224 | EC 524-620 |
| | | FSNT 524-620 | 23224 | SR215X5 | TSNG224 | VR224 | L0224 | TA224 | EC 524-620 |
| 130 | 145 | FSNT 526 | 22226 | SR230X13 | TSNG226 | VR226 | L0226 | TA226 | EC526 |
| | | FSNT 526 | 23226 | SR230X5 | TSNG226 | VR226 | L0226 | TA226 | EC526 |
| 140 | 155 | FSNT 528 | 22228 | SR250X15 | TSNG228 | VR228 | L0228 | TA228 | EC528 |
| | | FSNT 528 | 23228 | SR250X5 | TSNG228 | VR228 | L0228 | TA228 | EC528 |
| 150 | 165 | FSNT 530 | 22230 | SR270X16.5 | TSNG230 | VR230 | L0230 | TA230 | EC530 |
| | | FSNT 530 | 23230 | SR270X5 | TSNG230 | VR230 | L0230 | TA230 | EC530 |
| 160 | 175 | FSNT 532 | 22232 | SR290X17 | TSNG232 | VR232 | L0232 | TA232 | EC532 |
| | | FSNT 532 | 23232 | SR290X5 | TSNG232 | VR232 | L0232 | TA232 | EC532 |

⁽¹⁾Locating rings = minimum two required for fixed position, sold one piece per box.

⁽²⁾Double-lip and V-ring seal sold two pieces per box. Consult with your Timken engineer for double-lip seal availability.

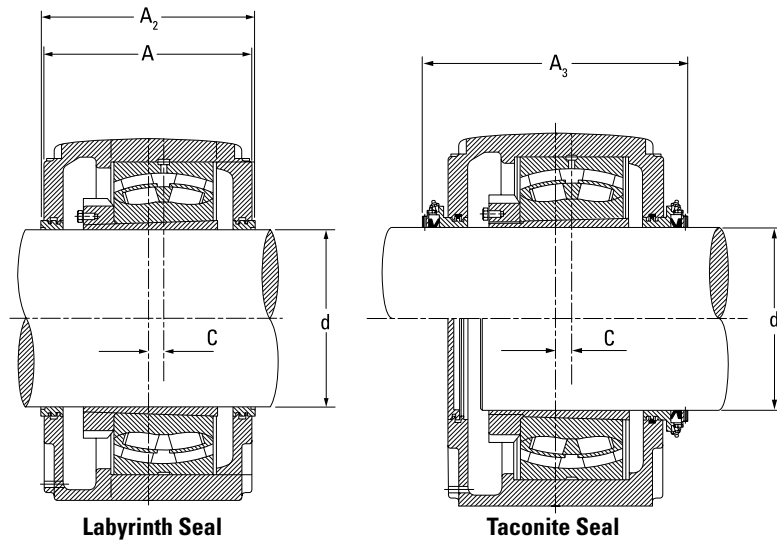
⁽³⁾Labyrinth, taconite seal and end cover, sold one piece per box.



| Housing Dimensions | | | | | | | | | | | | | 4 Bolts Req'd | Housing Mass |
|--------------------|----------------|----------------|----------------|-----|----------------|----------------|-----|----------------|----------------|-----|----|----------------|------------------|-----------------|
| A | A ₁ | A ₂ | A ₃ | H | H ₁ | H ₂ | J | J ₁ | J ₂ | L | N | N ₁ | G | kg |
| mm | mm | mm | mm | mm | mm | mm | mm | mm | mm | mm | mm | mm | mm | kg |
| 125 | 90 | 143 | 205 | 183 | 95 | 32 | 252 | 52 | – | 320 | 18 | – | 20 | 10.4 |
| 160 | 110 | 178 | 235 | 218 | 112 | 40 | 320 | 60 | – | 380 | 18 | 24 | 24 | 17.6 |
| 160 | 110 | 178 | 235 | 218 | 112 | 40 | 320 | 60 | – | 380 | 18 | 24 | 24 | 17.6 |
| 140 | 100 | 158 | 220 | 194 | 100 | 35 | 280 | 58 | – | 345 | 18 | – | 20 | 13.1 |
| 140 | 100 | 158 | 220 | 194 | 100 | 35 | 280 | 58 | – | 345 | 18 | – | 20 | 13.1 |
| 175 | 120 | 191 | 250 | 242 | 125 | 45 | 350 | 70 | – | 410 | 18 | 24 | 24 | 22.3 |
| 175 | 120 | 191 | 250 | 242 | 125 | 45 | 350 | 70 | – | 410 | 18 | 24 | 24 | 22.3 |
| 160 | 110 | 178 | 235 | 218 | 112 | 40 | 320 | 60 | – | 380 | 18 | 24 | 24 | 17.6 |
| 160 | 110 | 178 | 235 | 218 | 112 | 40 | 320 | 60 | – | 380 | 18 | 24 | 24 | 17.6 |
| 185 | 120 | 199 | 260 | 271 | 140 | 45 | 350 | 70 | – | 410 | 18 | 24 | 24 | 26.5 |
| 185 | 120 | 199 | 260 | 271 | 140 | 45 | 350 | 70 | – | 410 | 18 | 24 | 24 | 26.5 |
| 175 | 120 | 191 | 250 | 242 | 125 | 45 | 350 | 70 | – | 410 | 18 | 24 | 24 | 22.3 |
| 175 | 120 | 191 | 250 | 242 | 125 | 45 | 350 | 70 | – | 410 | 18 | 24 | 24 | 22.3 |
| 185 | 120 | 199 | 260 | 271 | 140 | 45 | 350 | 70 | – | 410 | 18 | 24 | 24 | 26.5 |
| 185 | 120 | 199 | 260 | 271 | 140 | 45 | 350 | 70 | – | 410 | 18 | 24 | 24 | 26.5 |
| 190 | 130 | 208 | 265 | 290 | 150 | 50 | 380 | 70 | – | 445 | 22 | 28 | 24 | 34.0 |
| 190 | 130 | 208 | 265 | 290 | 150 | 50 | 380 | 70 | – | 445 | 22 | 28 | 24 | 34.0 |
| 205 | 150 | 223 | 285 | 302 | 150 | 50 | 420 | 80 | – | 500 | 26 | 32 | 30 | 39.0 |
| 205 | 150 | 223 | 285 | 302 | 150 | 50 | 420 | 80 | – | 500 | 26 | 32 | 30 | 39.0 |
| 220 | 160 | 241 | 295 | 323 | 160 | 60 | 450 | 90 | – | 530 | 26 | 32 | 30 | 48.0 |
| 220 | 160 | 241 | 295 | 323 | 160 | 60 | 450 | 90 | – | 530 | 26 | 32 | 30 | 48.0 |
| 235 | 160 | 254 | 315 | 344 | 170 | 60 | 470 | 90 | – | 550 | 26 | 32 | 30 | 54.5 |
| 235 | 160 | 254 | 315 | 344 | 170 | 60 | 470 | 90 | – | 550 | 26 | 32 | 30 | 54.5 |

LARGE PLUMMER BLOCK HOUSINGS – 3000 AND 3100 SERIES

- The basic numbers for ordering plummer block housings and components are listed in the table below.
- Each housing includes the housing cap, base and cap bolts.
- Housings shown are furnished in cast iron. If cast steel is desired, add the letter S to the alpha prefix (e.g., SNTS 518). If ductile iron is desired, add the letter D to the alpha prefix (e.g., SNTD 505).
- Housings with the F suffix are manufactured for fixed bearings. Those with the L suffix are float position housings.

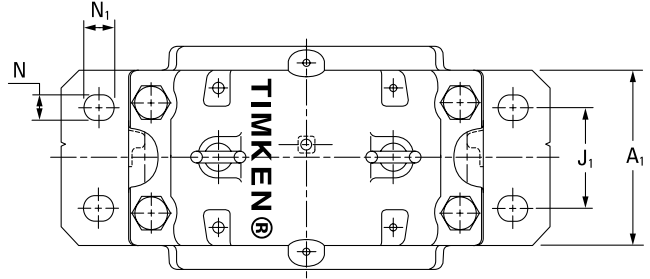
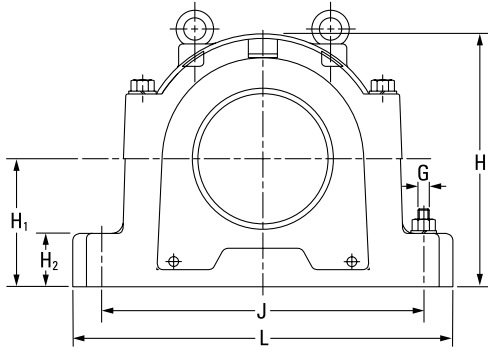


| Shaft Dia. d | Housing | Bearing | Locating Rings ⁽¹⁾ O.D. x Width | Quantity (Typically required for this bearing/housing configuration) | Adapter Sleeve ⁽²⁾ | Locknut ⁽³⁾ | Lockwasher ⁽³⁾ | Labyrinth Seal ⁽³⁾ | Taconite Seal ⁽³⁾ | End Cover ⁽³⁾ |
|-----------------|-----------|---------|---|---|-------------------------------|------------------------|---------------------------|-------------------------------|------------------------------|--------------------------|
| mm | | | | | | | | | | |
| 150 | SNT 3134 | 23134K | SR280X10 | 2 | H3134 | KM34 | MB34 | L034 | TA34 | EC34 |
| 160 | SNT 3036 | 23036K | SR280X17 | 2 | H3036 | KM36 | MB36 | L036 | TA36 | EC36 |
| | SNT 3136 | 23136K | SR300X10 | 2 | H3136 | KM36 | MB36 | L036 | TA36 | EC36 |
| 170 | SNT 3038 | 23038K | SR290X10 | 4 | H3038 | KML38 | MBL38 | L038 | TA38 | EC38 |
| | SNT 3138 | 23138K | SR320X10 | 2 | H3138 | KM38 | MB38 | L038 | TA38 | EC38 |
| 180 | SNT 3040 | 23040K | SR310X10 | 4 | H3040 | KM40 | MB40 | L040 | TA40 | EC40 |
| | SNT 3140 | 23140K | SR340X10 | 2 | H3140 | KM40 | MB40 | L040 | TA40 | EC40 |
| 200 | SNT 3044 | 23044K | SR340X10 | 4 | OH3044H | HM3044 | MS3044 | L044 | TA44 | EC44 |
| | SNT 3144 | 23144K | SR370X10 | 2 | OH3144H | HM44T | MB44 | L044 | TA44 | EC44 |
| 220 | SNT 3048 | 23048K | SR360X12 | 4 | OH3048H | HM3048 | MS3048 | L048 | TA48 | EC48 |
| | SNT 3148 | 23148K | SR400X10 | 2 | OH3148H | HM48T | MB48 | L048 | TA48 | EC48 |
| 240 | SNT 3052 | 23052K | SR400X22 | 2 | OH3052H | HM3052 | MS3052 | L052 | TA52 | EC52 |
| | SNT 3152 | 23152K | SR440X10 | 2 | OH3152H | HM52T | MB52 | L052 | TA52 | EC52 |
| 260 | SNT 3056 | 23056K | SR420X10 | 6 | OH3056H | HM3056 | MS3056 | L056 | TA56 | EC56 |
| | SNT 3156 | 23156K | SR460X10 | 2 | OH3156H | HM56T | MB56 | L056 | TA56 | EC56 |
| 280 | SNT 3060 | 23060K | SR460X25 | 2 | OH3060H | HM3060 | MS3060 | L060 | TA60 | EC60 |
| | SNT 3160 | 23160K | SR500X10 | 2 | OH3160H | HM3160 | MS3160 | L060 | TA60 | EC60 |
| 300 | SNT 3064 | 23064K | SR480X10 | 6 | OH3064H | HM3064 | MS3064 | L064 | TA64 | EC64 |
| | SNT 3164 | 23164K | SR540X10 | 2 | OH3164H | HM3164 | MS3164 | L064 | TA64 | EC64 |
| 320 | SNT 3068 | 23068K | SR520X16 | 4 | OH3068H | HM3068 | MS3068 | L068 | TA68 | EC68 |
| | SNT 3168F | 23168K | FIXED HOUSING | – | OH3168H | HM3168 | MS3168 | L068 | TA68 | EC68 |
| | SNT 3168L | 23168K | FLOAT HOUSING | – | OH3168H | HM3168 | MS3168 | L068 | TA68 | EC68 |
| 340 | SNT 3072 | 23172K | SR540X16 | 4 | OH3072H | HM3072 | MS3072 | L072 | TA72 | EC72 |
| | SNT 3172F | 23172K | FIXED HOUSING | – | OH3172H | HM3172 | MS3172 | L072 | TA72 | EC72 |
| | SNT 3172L | 23172K | FLOAT HOUSING | – | OH3172H | HM3172 | MS3172 | L072 | TA72 | EC72 |

⁽¹⁾Locating rings = minimum two required for fixed position, sold one piece per box.

⁽²⁾Adapter sleeve assembly includes one sleeve, one locknut and one lockwasher.

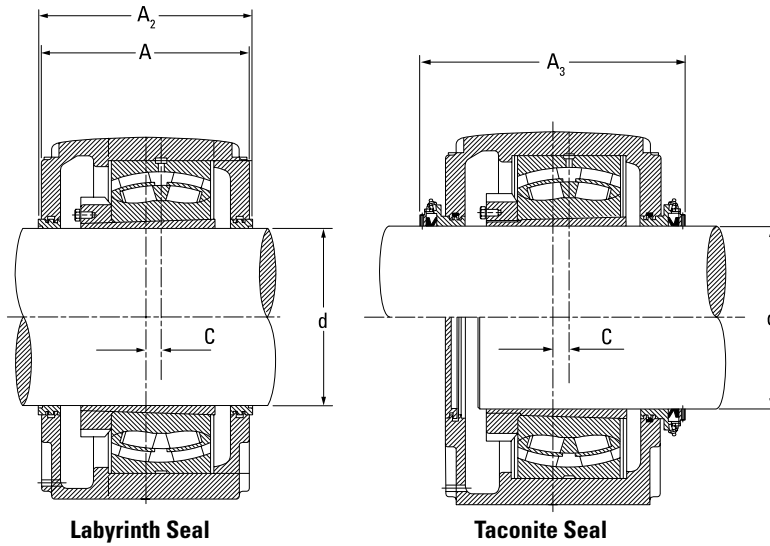
⁽³⁾Labyrinth, taconite seal, end cover, locknut, lockwasher, sold one piece per box.



| Housing Dimensions | | | | | | | | | | | | | 4 Bolts Req'd | Housing Mass |
|--------------------|----------------|----------------|----------------|----|-----|----------------|----------------|-----|----------------|------|----|----------------|------------------|-----------------|
| A | A ₁ | A ₂ | A ₃ | C | H | H ₁ | H ₂ | J | J ₁ | L | N | N ₁ | G | kg |
| 230 | 180 | 240 | 300 | 14 | 333 | 170 | 70 | 430 | 100 | 510 | 28 | 34 | 24 | 75 |
| 230 | 180 | 240 | 310 | 14 | 333 | 170 | 70 | 430 | 100 | 510 | 28 | 34 | 24 | 72 |
| 240 | 190 | 250 | 315 | 15 | 353 | 180 | 75 | 450 | 110 | 530 | 28 | 34 | 24 | 92 |
| 240 | 190 | 250 | 315 | 15 | 353 | 180 | 75 | 450 | 110 | 530 | 28 | 34 | 24 | 81 |
| 260 | 210 | 270 | 335 | 10 | 375 | 190 | 80 | 480 | 120 | 560 | 28 | 34 | 24 | 112 |
| 260 | 210 | 270 | 335 | 10 | 375 | 190 | 80 | 480 | 120 | 560 | 28 | 34 | 24 | 110 |
| 280 | 230 | 290 | 355 | 10 | 411 | 210 | 85 | 510 | 130 | 610 | 28 | 34 | 24 | 130 |
| 280 | 230 | 290 | 355 | 10 | 411 | 210 | 85 | 510 | 130 | 610 | 28 | 34 | 24 | 130 |
| 280 | 230 | 290 | 355 | 10 | 411 | 210 | 85 | 510 | 130 | 610 | 28 | 34 | 24 | 118 |
| 290 | 240 | 300 | 385 | 12 | 434 | 220 | 90 | 540 | 140 | 640 | 35 | 42 | 30 | 140 |
| 290 | 240 | 300 | 385 | 12 | 434 | 220 | 90 | 540 | 140 | 640 | 35 | 42 | 30 | 138 |
| 310 | 260 | 315 | 400 | 12 | 474 | 240 | 95 | 600 | 150 | 700 | 35 | 42 | 30 | 193 |
| 310 | 260 | 315 | 400 | 12 | 474 | 240 | 95 | 600 | 150 | 700 | 35 | 42 | 30 | 189 |
| 320 | 280 | 330 | 415 | 13 | 516 | 260 | 100 | 650 | 160 | 770 | 42 | 50 | 36 | 235 |
| 320 | 280 | 330 | 415 | 13 | 516 | 260 | 100 | 650 | 160 | 770 | 42 | 50 | 36 | 235 |
| 320 | 280 | 330 | 415 | 13 | 516 | 260 | 100 | 650 | 160 | 770 | 42 | 50 | 36 | 254 |
| 320 | 280 | 330 | 415 | 16 | 551 | 280 | 105 | 670 | 160 | 790 | 42 | 50 | 36 | 260 |
| 320 | 280 | 330 | 415 | 16 | 551 | 280 | 105 | 670 | 160 | 790 | 42 | 50 | 36 | 260 |
| 320 | 280 | 330 | 415 | 16 | 551 | 280 | 105 | 670 | 160 | 790 | 42 | 50 | 36 | 310 |
| 350 | 310 | 360 | 445 | 22 | 591 | 300 | 110 | 710 | 190 | 830 | 42 | 50 | 36 | 310 |
| 350 | 310 | 360 | 445 | 22 | 591 | 300 | 110 | 710 | 190 | 830 | 42 | 50 | 36 | 310 |
| 350 | 310 | 360 | 445 | 22 | 591 | 300 | 110 | 710 | 190 | 830 | 42 | 50 | 36 | 300 |
| 370 | 330 | 380 | 465 | 23 | 631 | 320 | 115 | 750 | 200 | 880 | 42 | 50 | 36 | 346 |
| 370 | 330 | 380 | 465 | 23 | 631 | 320 | 115 | 750 | 200 | 880 | 42 | 50 | 36 | 346 |
| 400 | 360 | 410 | 492 | 24 | 675 | 340 | 120 | 810 | 220 | 950 | 42 | 50 | 36 | 339 |
| 400 | 360 | 410 | 492 | 24 | 675 | 340 | 120 | 810 | 220 | 950 | 42 | 50 | 36 | 432.5 |
| 400 | 360 | 410 | 492 | 24 | 675 | 340 | 120 | 810 | 220 | 950 | 42 | 50 | 36 | 429.5 |
| 370 | 330 | 380 | 465 | 23 | 631 | 320 | 115 | 750 | 200 | 950 | 42 | 50 | 36 | 342 |
| 400 | 360 | 410 | 492 | 30 | 695 | 350 | 120 | 840 | 220 | 1000 | 42 | 50 | 36 | 458 |
| 400 | 360 | 410 | 492 | 30 | 695 | 350 | 120 | 840 | 220 | 1000 | 42 | 50 | 36 | 454 |

Continued on next page.

LARGE PLUMMER BLOCK HOUSINGS – 3000 AND 3100 SERIES (CONTINUED)

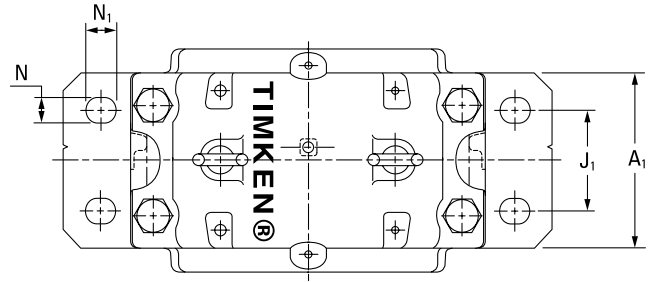
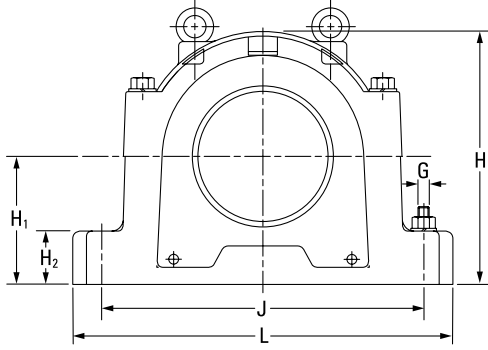


| Shaft Dia. d | Housing | Bearing | Locating Rings ⁽¹⁾ O.D. x Width | Quantity (Typically required for this bearing/housing configuration) | Adapter Sleeve ⁽²⁾ | Locknut ⁽³⁾ | Lockwasher ⁽³⁾ | Labyrinth Seal ⁽³⁾ | Taconite Seal ⁽³⁾ | End Cover ⁽³⁾ |
|-----------------|-----------|---------|---|--|----------------------------------|------------------------|---------------------------|----------------------------------|---------------------------------|--------------------------|
| mm | | | | | | | | | | |
| 360 | SNT 3076F | 23076K | FIXED HOUSING | - | OH3076H | HM3076 | MS3076 | LO76 | TA76 | EC76 |
| | SNT 3076L | 23076K | FLOAT HOUSING | | OH3076H | HM3076 | MS3076 | LO76 | TA76 | EC76 |
| | SNT 3176F | 23176K | FIXED HOUSING | | OH3176H | HM3176 | MS3176 | LO76 | TA76 | EC76 |
| | SNT 3176L | 23176K | FLOAT HOUSING | | OH3176H | HM3176 | MS3176 | LO76 | TA76 | EC76 |
| 380 | SNT 3080F | 23080K | FIXED HOUSING | - | OH3080H | HM3080 | MS3080 | LO80 | TA80 | EC80 |
| | SNT 3080L | 23080K | FLOAT HOUSING | | OH3080H | HM3080 | MS3080 | LO80 | TA80 | EC80 |
| | SNT 3180F | 23180K | FIXED HOUSING | | OH3180H | HM3180 | MS3180 | LO80 | TA80 | EC80 |
| | SNT 3180L | 23180K | FLOAT HOUSING | | OH3180H | HM3180 | MS3180 | LO80 | TA80 | EC80 |
| 400 | SNT 3084F | 23084K | FIXED HOUSING | - | OH3084H | HM3084 | MS3084 | LO84 | TA84 | EC84 |
| | SNT 3084L | 23084K | FLOAT HOUSING | | OH3084H | HM3084 | MS3084 | LO84 | TA84 | EC84 |

⁽¹⁾Locating rings = minimum two required for fixed position, sold one piece per box.

⁽²⁾Adapter sleeve assembly includes one sleeve, one locknut and one lockwasher.

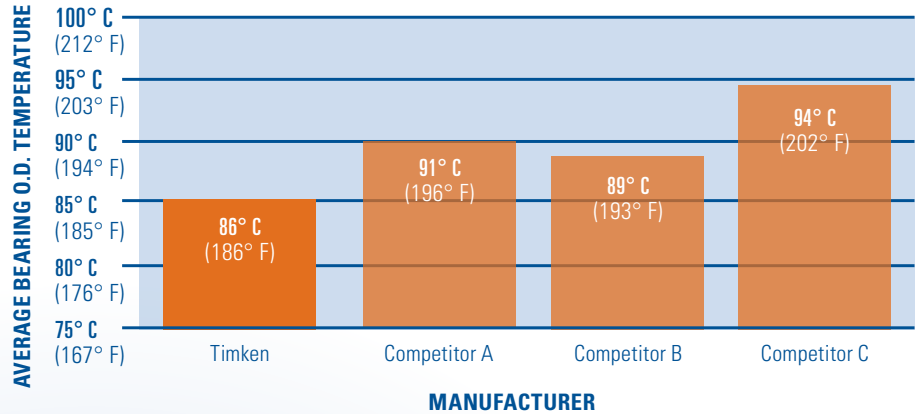
⁽³⁾Labyrinth, taconite seal, end cover, locknut, lockwasher, sold one piece per box.



| Housing Dimensions | | | | | | | | | | | | | 4 Bolts Req'd | Housing Mass |
|--------------------|----------------|----------------|----------------|----|-----|----------------|----------------|-----|----------------|------|----|----------------|---------------|--------------|
| A | A ₁ | A ₂ | A ₃ | C | H | H ₁ | H ₂ | J | J ₁ | L | N | N ₁ | G | |
| mm | mm | mm | mm | mm | mm | mm | mm | mm | mm | mm | mm | mm | mm | kg |
| 400 | 360 | 410 | 495 | 24 | 675 | 340 | 120 | 810 | 220 | 1000 | 42 | 50 | 36 | 430 |
| 400 | 360 | 410 | 495 | 24 | 675 | 340 | 120 | 810 | 220 | 1000 | 42 | 50 | 36 | 427 |
| 400 | 360 | 410 | 492 | 30 | 715 | 360 | 120 | 870 | 220 | 1040 | 42 | 50 | 36 | 487 |
| 400 | 360 | 410 | 492 | 30 | 715 | 360 | 120 | 870 | 220 | 1040 | 42 | 50 | 36 | 484 |
| 400 | 360 | 410 | 495 | 30 | 695 | 350 | 120 | 840 | 220 | 1040 | 42 | 50 | 36 | 454 |
| 400 | 360 | 410 | 495 | 30 | 695 | 350 | 120 | 840 | 220 | 1040 | 42 | 50 | 36 | 450 |
| 430 | 390 | 440 | 522 | 30 | 775 | 380 | 125 | 950 | 240 | 1120 | 48 | 60 | 42 | 595 |
| 430 | 390 | 440 | 522 | 30 | 775 | 380 | 125 | 950 | 240 | 1120 | 48 | 60 | 42 | 595 |
| 400 | 360 | 410 | 795 | 30 | 715 | 360 | 120 | 870 | 220 | 1120 | 42 | 50 | 36 | 483 |
| 400 | 360 | 410 | 795 | 30 | 715 | 360 | 120 | 870 | 220 | 1120 | 42 | 50 | 36 | 480 |

TIMKEN® SPHERICAL ROLLER BEARINGS: COOLER THAN THE COMPETITION

Lower operating temperatures increase bearing life by increasing lubricant life. A 5° C decrease in operating temperature can translate to 9 percent longer bearing life. In tests, Timken spherical roller bearings ran at consistently lower temperatures than same-size competitors' bearings.



TIMKEN OFFERS A WIDE RANGE OF HOUSED UNITS THAT HANDLE DEMANDING HEAVY INDUSTRIAL OPERATIONS



SNT PLUMMER BLOCK HOUSINGS
shaft sizes from 20 to 400 mm



SAF PILLOW BLOCK HOUSINGS
shaft sizes from 1-3/8 to 19-1/2 in



SOLID-BLOCK SPHERICAL ROLLER BEARING HOUSED UNIT
shaft sizes from 40 to 180 mm; 1-7/16 to 7 in



TYPE E TAPERED ROLLER BEARING HOUSED UNIT
shaft sizes from 35 to 125mm; 1-3/16 to 5 in



BALL BEARING HOUSED UNIT
shaft sizes from 12 to 90 mm; 1/2 to 3-15/16 in

INDUSTRIES AND APPLICATIONS

- Power Generation (Coal)
- Mining
- Aggregate/Cement
- Metal Mills
- Pulp & Paper/Sawmills/Forestry
- Water Treatment
- Food Processing
- Warehousing
- Movable Bridges/Structures
- Industrial Fans/Blowers

CALL ON TIMKEN

For your nearest Timken sales representative, visit www.timken.com.



The Timken team applies their know-how to improve the reliability and performance of machinery in diverse markets worldwide. The company designs, makes and markets high-performance steel as well as mechanical components, including bearings, gears, chain and related mechanical power transmission products and services.

Stronger. Commitment. Stronger. Value. Stronger. Worldwide. Stronger. Together. | Stronger. By Design.

www.timken.com